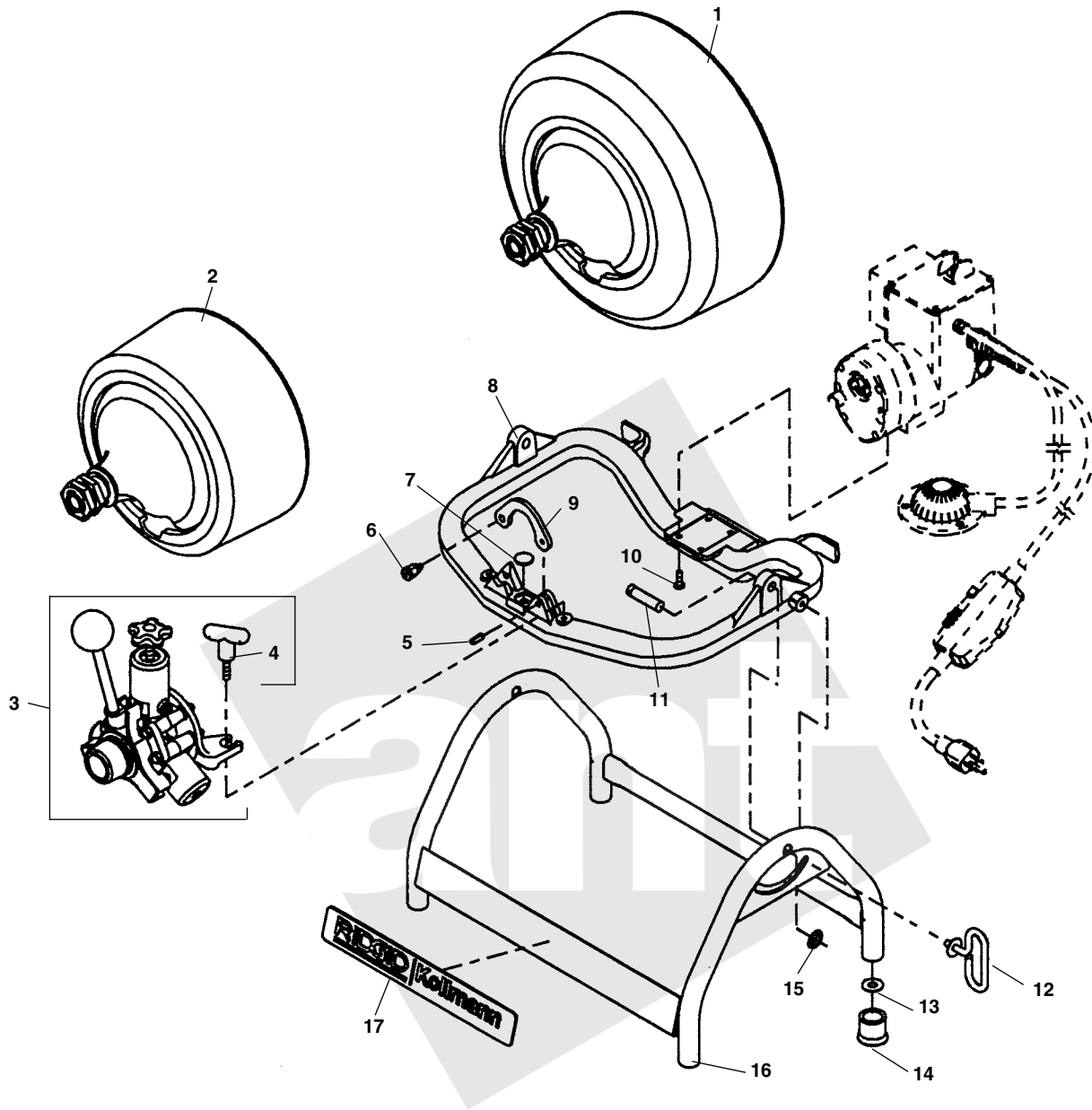


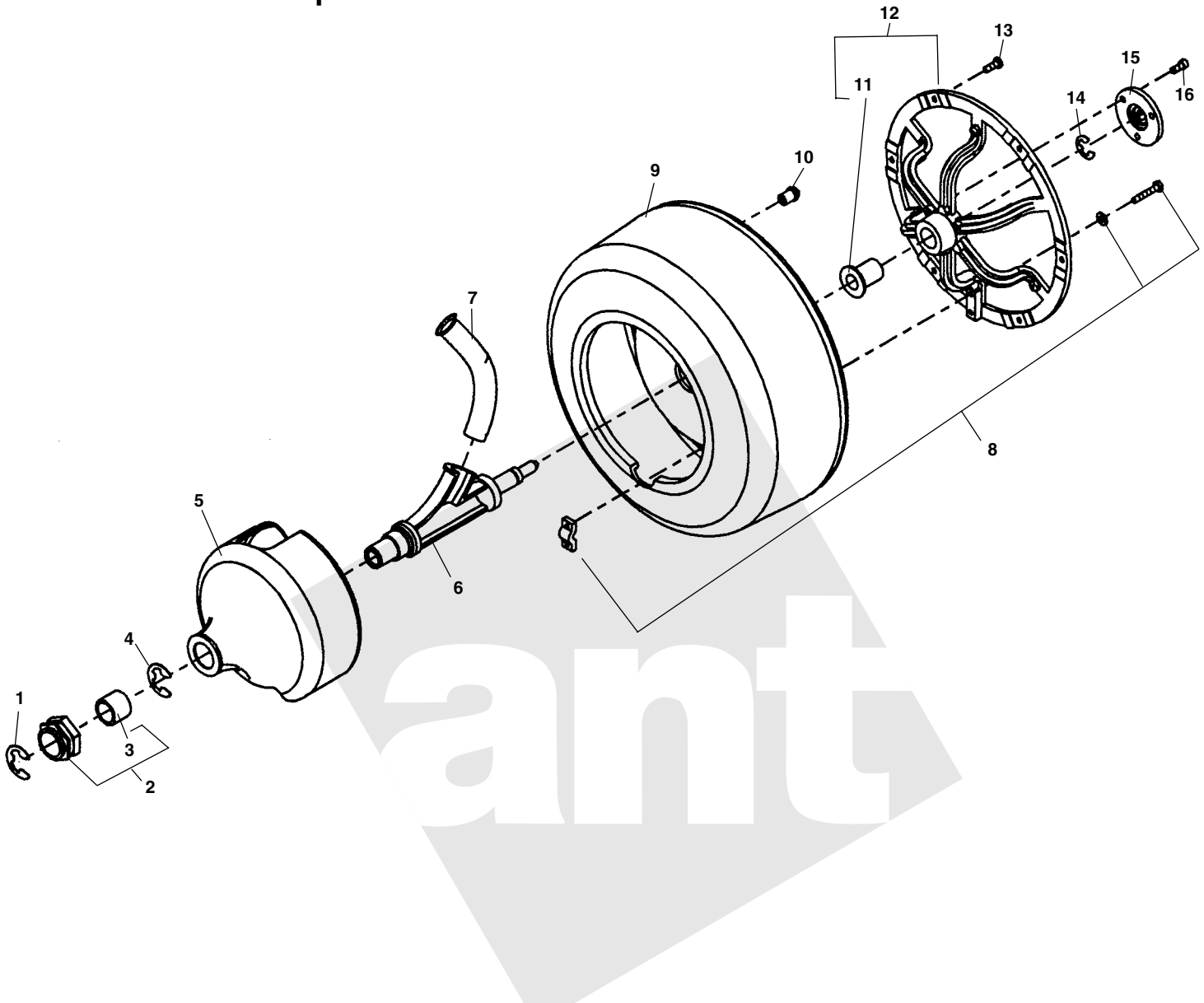
**Main Components**



**NOTE: Order parts by Catalog Number only.  
DO NOT order by Reference Number.**

Ref. No.	Catalog No.	Description	Ref. No.	Catalog No.	Description
1	55002	Standard Drum Assembly	10	56152	Screw 1/4" - 20 x 3/4" (4)
2	55007	Sink Drum Assembly	11	56172	Pivot Pin
3	60087	AUTOFEED® Assembly	12	56192	Swivel Locking Handle
4	60672	Retaining Knob (2)	13	44230	Flat Washer 3/8"
5	56177	Roll Pin 1/4" - 3/4"	14	37962	Rubber End Cap (4)
6	59510	Plunger Pin	15	67427	Push Nut (2)
7	34320	Wear Plug	16	56197	Base
8	56182	Yoke	17	56202	Nameplate
9	56187	Bearing Clamp	18	54562	Tool Holder (Not Shown)

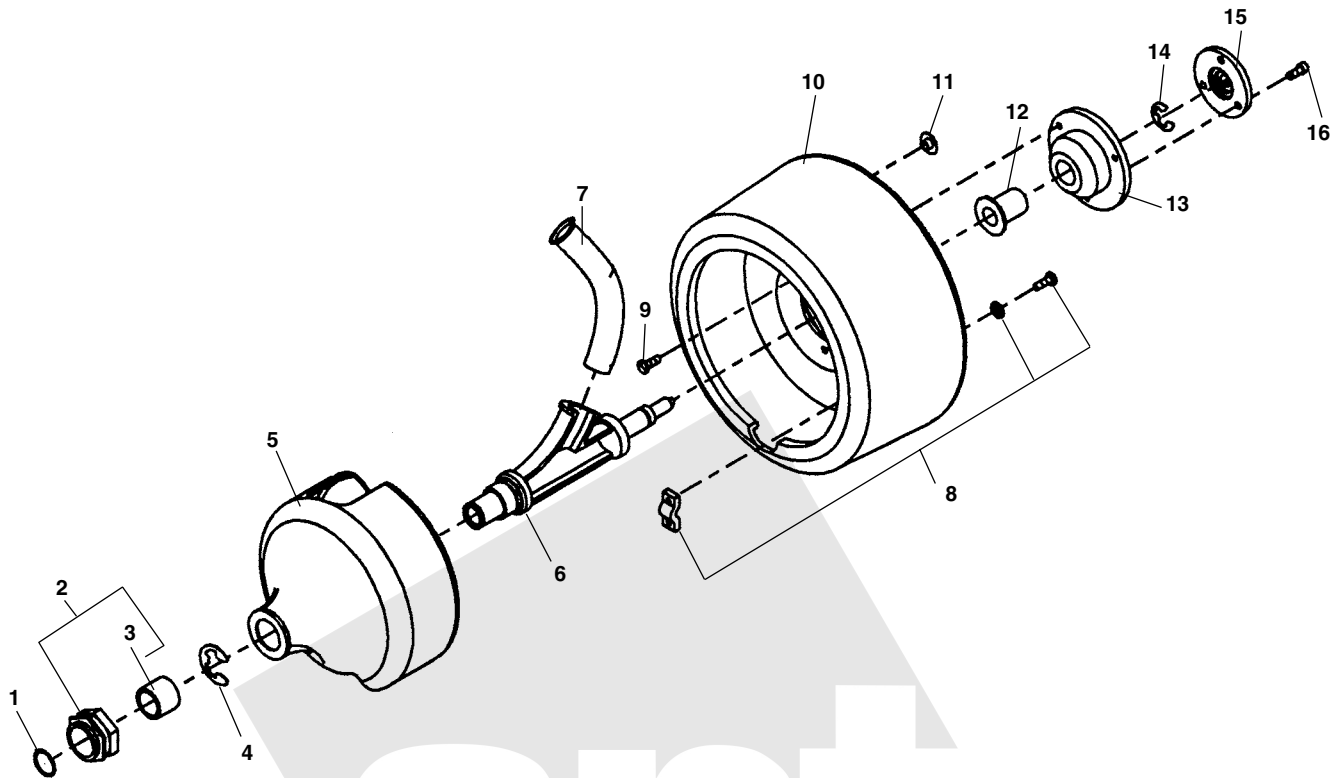
Standard Drum Components



**NOTE: Order parts by Catalog Number only.  
DO NOT order by Reference Number.**

Ref. No.	Catalog No.	Description	Ref. No.	Catalog No.	Description
—	55002	Standard Drum Assembly	9	56137	Drum
1	44860	Retaining Ring	10	60552	Drain Plug
2	56107	Bearing Block w/Bearing	11	56157	Flange Bearing
3	56112	Front Bearing	12	56162	Drum Support w/Bearing
4	56117	Retaining Ring	13	56152	Screw 1/4" - 20 x 3/4" (6)
5	56122	Inner Drum	14	60050	Retaining Ring
6	56127	Guide Tube Support	15	56167	Drive Lug
7	56132	Guide Tube	16	39830	Screw 1/4" - 20 x 5/8" (3)
8	56147	Cable Clamp Assembly			

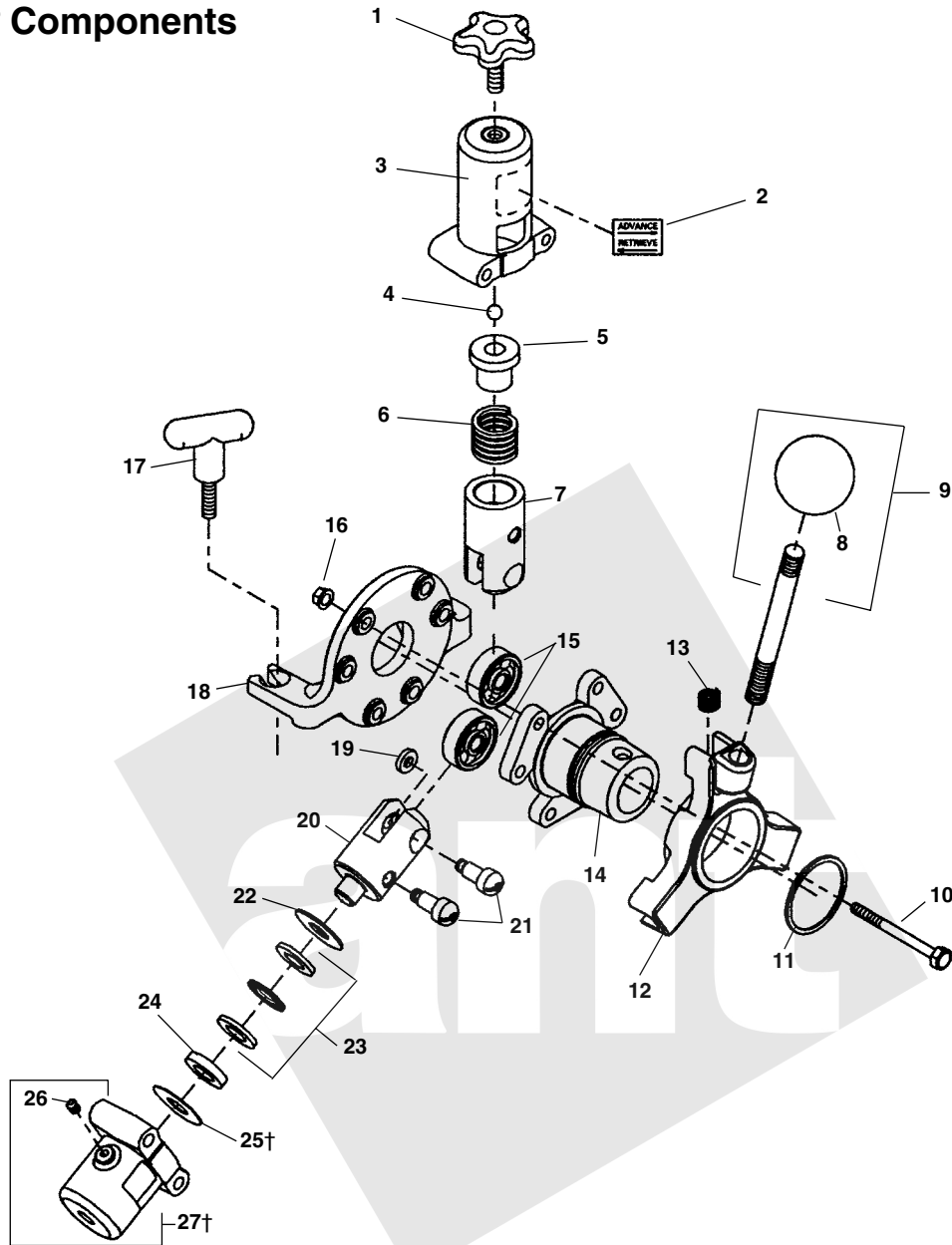
**Sink Drum Components**



**NOTE: Order parts by Catalog Number only.  
DO NOT order by Reference Number.**

Ref. No.	Catalog No.	Description	Ref. No.	Catalog No.	Description
—	55007	Sink Drum Assembly	9	56152	Screw 1/4" - 20 x 3/4" (3)
1	62402	Retaining Ring	10	61212	Sink Drum
2	56107	Bearing Block w/Bearing	11	56142	Drain Plug
3	56112	Front Bearing	12	56157	Flange Bearing
4	56117	Retaining Ring	13	61217	Drum Support
5	56122	Inner Drum	14	60050	Retaining Ring
6	56127	Guide Tube Support	15	56167	Drive Lug
7	56132	Guide Tube	16	39830	Screw 1/4" - 20 x 5/8" (3)
8	56147	Cable Clamp Assembly			

## AUTOFEED® Components

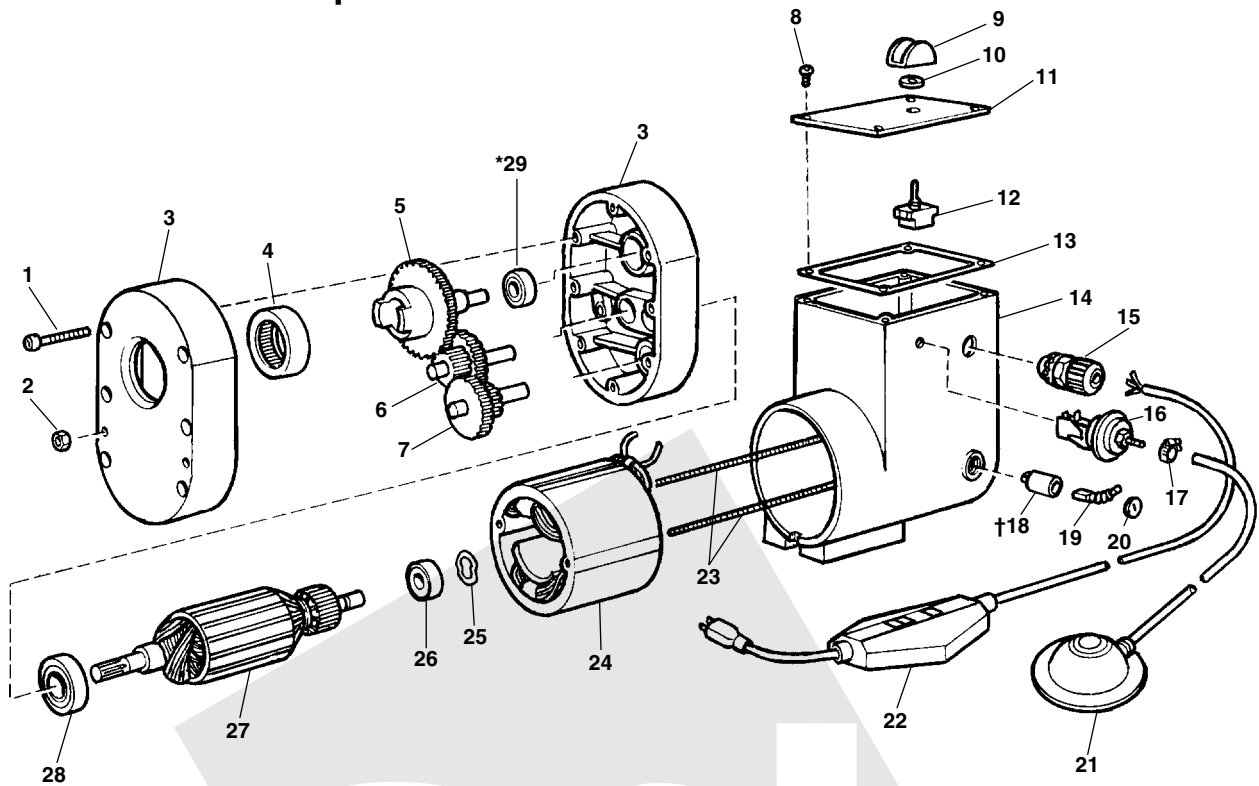


**NOTE: Order parts by Catalog Number only.  
DO NOT order by Reference Number.**

Ref. No.	Catalog No.	Description	Ref. No.	Catalog No.	Description
—	60087	AUTOFEED® Assembly	14	60747	Front Support Plate
1	60682	Feed Knob	15	60752	Roller Bearing (3)
2	60762	Advance/Retrieve Label	16	27517	Lock Nut $\frac{5}{16}$ " - 18 (6)
3	60692	Top Roller Housing	17	60672	Handle (2)
4	60702	Ball	18	61222	Back Support Plate
5	93475	Ball Holder	19	60717	Bearing Spacer (3)
6	93375	Spring	20	60722	Stationary Roller Housing (2)
7	60707	Movable Roller Holder	21	60732	Actuator Pin (6)
8	59585	Knob	22	68362	Spacer 0.12" (2)
9	93630	Clutch Handle Assy. w/Knob	23	68367	Thrust Bearing Assembly (2)
10	60737	Bolt $\frac{5}{16}$ " - 18 x 3", Hex Head (6)	24	68372	Spacer 0.235" (2)
11	44112	Retaining Ring	25†	68377	Spacer 0.06" (2)
12	60742	Actuator	26	89810	Grease Fitting (4)
13	60697	Return Spring	27†	60727	Stationary Roller Housing (2)

† Service Note: Remove the 0.06" spacers (Ref. No. 25) from the stationary roller holders (Ref. No. 27) to use the AUTOFEED® on  $\frac{1}{2}$ " cable.

**Motor and Gearbox Components**



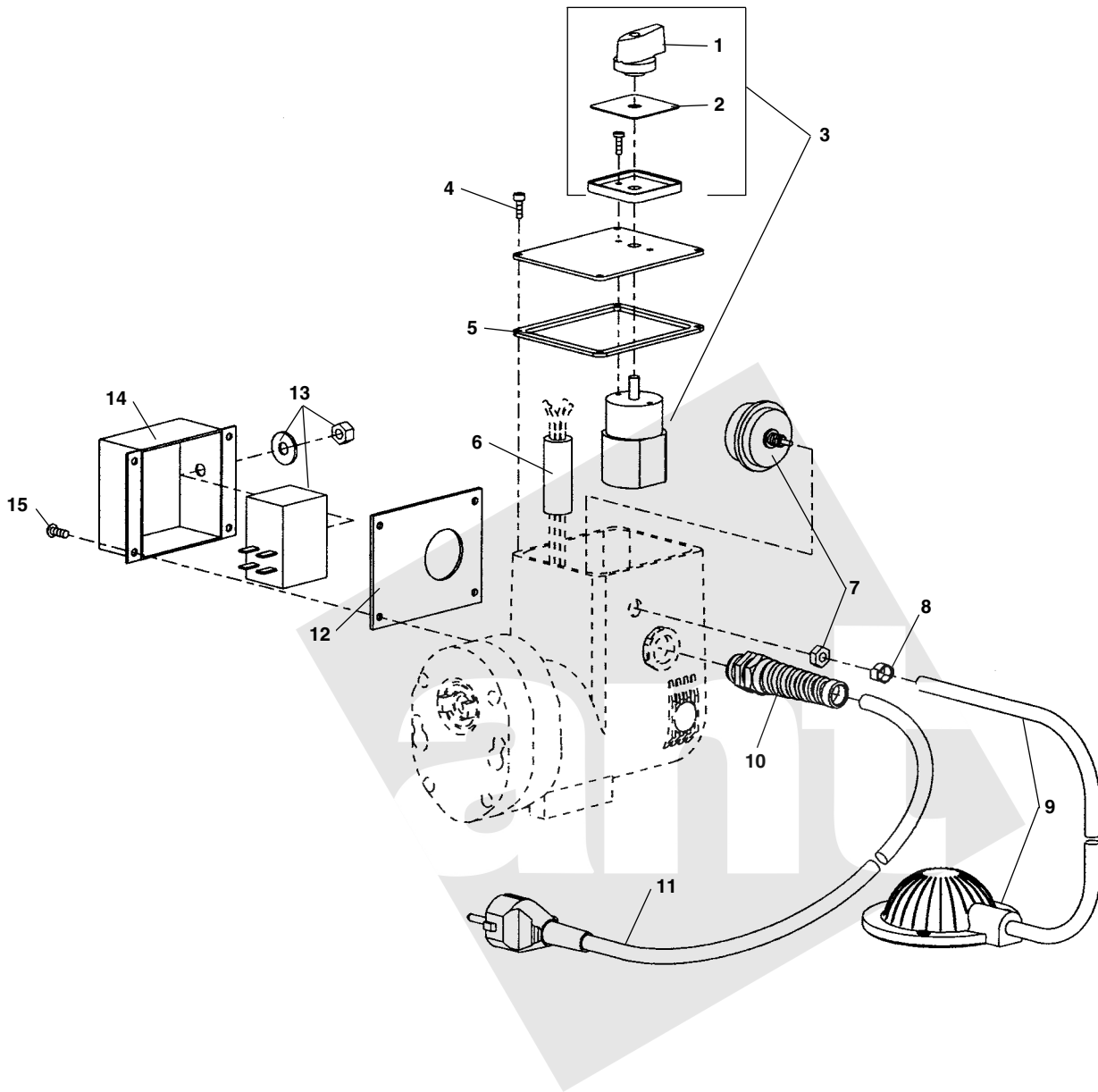
**NOTE: Order parts by Catalog Number only.  
DO NOT order by Reference Number.**

Ref. No.	Catalog No.	Description	Ref. No.	Catalog No.	Description
—	56207	Motor/Gear Box Assembly 115V	†18	56267	Brush Holder Set
—	62432	Motor/Gear Box Assembly 230V	—	56272	Brush Holder Screw (2)
—	61707	Motor/Gear Box Assy. 100V Japan	19	56277	Brush Set
1	65942	10 - 32 x 1" Screw (6)	20	56282	Brush Cap Set
2	76190	8 - 32 Hex Nut (4)	21	37967	Foot Switch Assembly
3	56217	Gear Box Housing w/Bearings	22	50507	GFI Line Cord 115V
4	56222	Bearing and Seal Set		15707	Line Cord 230V
5	56227	Output Shaft Assembly		60237	Line Cord 100V
6	66792	2nd Int. Gear	23	56287	Field Stud (2)
7	66787	1st Int. Gear	24	56292	Field Assembly 110/115V
8	79965	10 - 32 x 1/2" Screw (4)		60257	Field Assembly 230V
9	61490	Switch Guard		60247	Field Assembly 100V
10	23512	Rubber Washer	25	56297	Wavy Washer
11	56247	Cover	26	56302	Bearing
12	56252	Toggle Switch	27	56307	Armature 110/115V
13	56257	Cover Gasket		60252	Armature 230V
14	56262	Motor Housing		60242	Armature 100V
15	96265	Strain Relief	28	56312	Bearing
16	32992	Air Switch	*29	56332	Thrust Bearing
17	35142	Hose Clamp			

†Service Note: Brush holder screws are located under field studs (Ref. No. 23).

\* Ref. 29 Assemble stamped end into housing.

## European Electrical Components

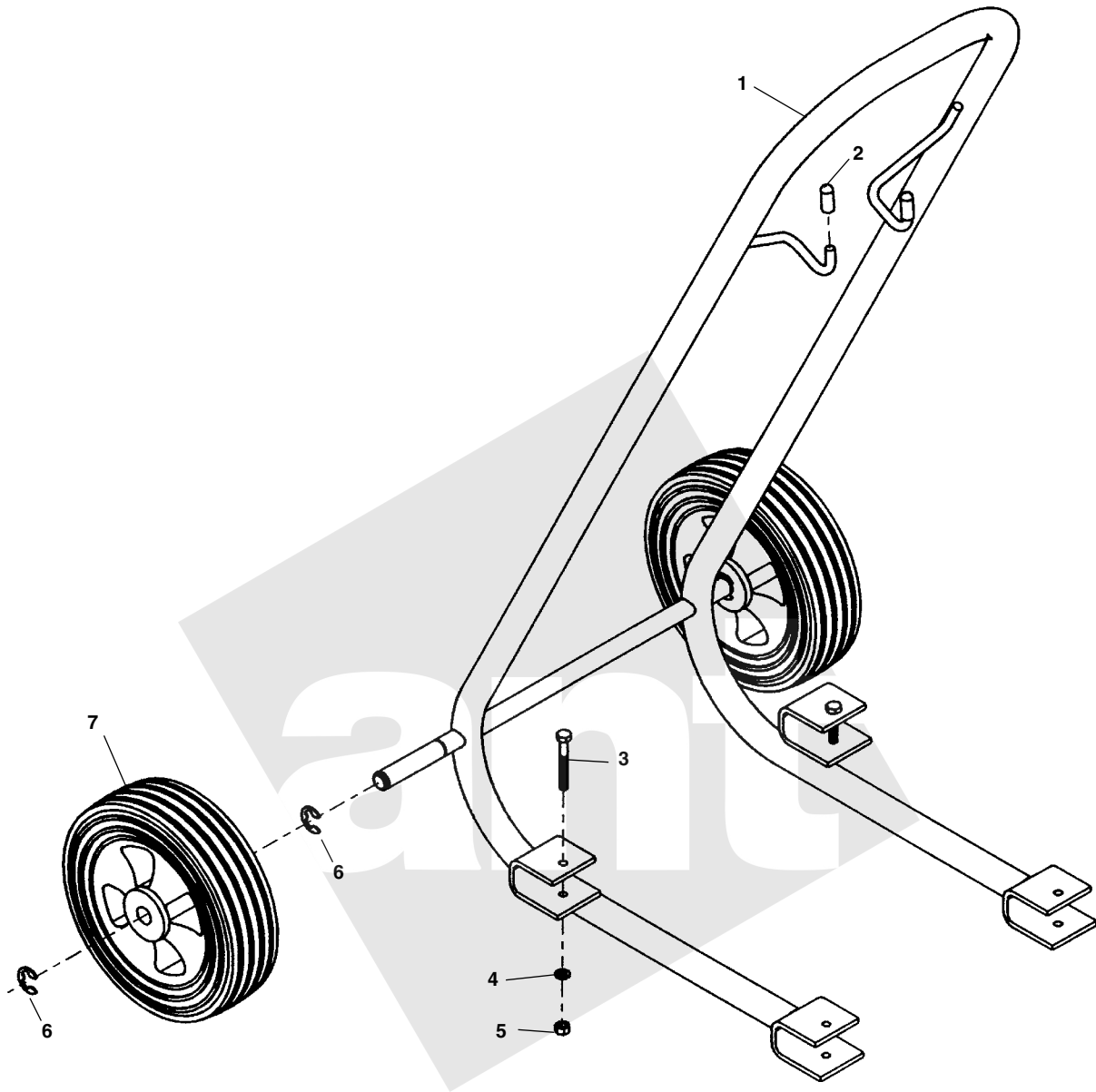


**NOTE: Order parts by Catalog Number only.  
DO NOT order by Reference Number.**

Ref. No.	Catalog No.	Description	Ref. No.	Catalog No.	Description
—	67892	220V Motor Assembly - Europe	8	35142	Clamp
—	67897	110V Motor Assembly - Europe	9	37967	Foot Switch w/Hose
1	61397	Switch Knob	10	27187	Strain Relief w/Lock Nut
2	57517	Face Plate	11	39562	Power Cord - 220V
3	54157	Switch Assembly		45022	Power Cord - 110V
4	81125	Screw 10 - 32 x 1/2" (4)	12	67907	Gasket
5	56257	Gasket	13	63372	Suppressor w/Washer & Nut
6	63377	Ferrite Bead	14	67902	Suppressor Box
7	32992	Air Switch	15	36787	Screw #10 Self-tapping

Note: Refer to Motor and Gearbox Components for internal motor parts.

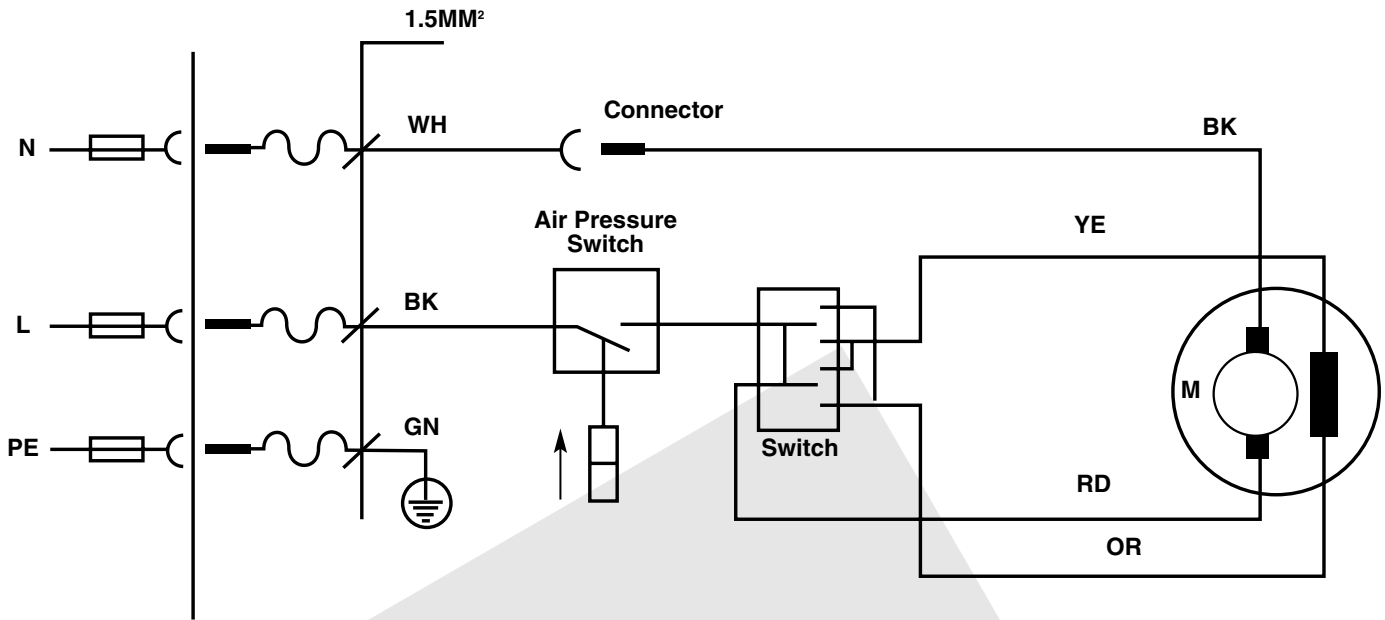
**Transport Cart Components**



**NOTE: Order parts by Catalog Number only.  
DO NOT order by Reference Number.**

<b>Ref. No.</b>	<b>Catalog No.</b>	<b>Description</b>
—	55017	Transport Cart
1	64872	Frame
2	50202	Vinyl Cap (2)
3	64877	Bolt 1/4" – 20 x 2" (2)
4	60075	Lock Washer (2)
5	77710	Jam Nut (2)
6	42580	Retaining Ring (4)
7	93325	Wheel (2)

Wiring Diagram 115V/25-60 Hz



Wiring Diagram 110/220V 50 Hz

