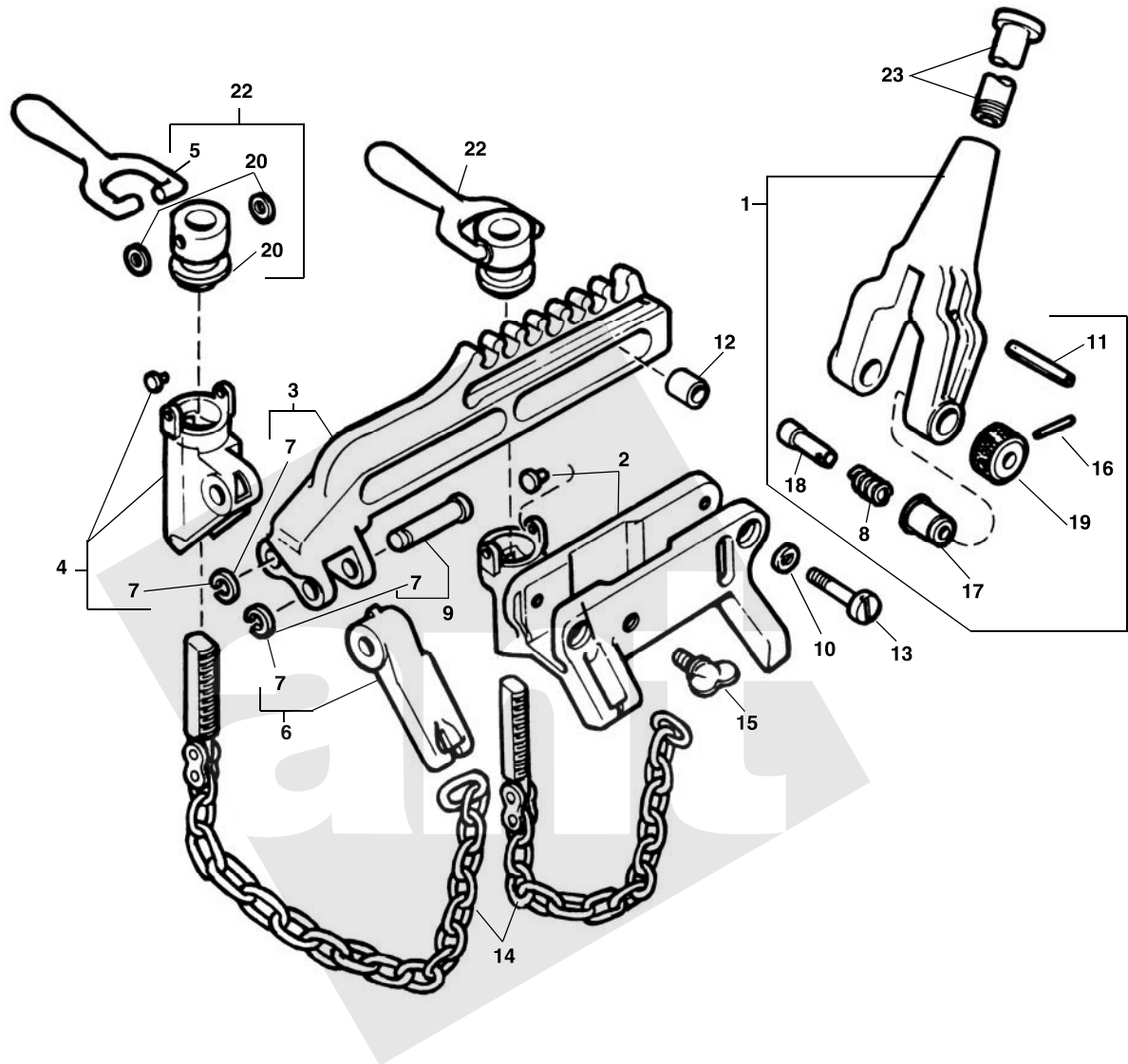


Capacity: 2" through 8"



**NOTE: Order parts by Catalog Number only.
DO NOT order by Reference Number.**

Ref. No.	Catalog No.	Description	Ref. No.	Catalog No.	Description
—	32905	228 Soil Pipe Assembly Tool	12	34380	Slide Roller (2)
1	33315	Yoke Assembly	13	34385	Slide Roller Screw (2)
2	33405	Housing w/Pivot Pin	14	34390	Chain and Screw Assembly (2)
3	33410	Slide Assembly	15	34395	Thumb Screw
4	33415	Hinged Jaw Assembly	16	34400	Pin (2)
5	32190	Handle (2)	17	34405	Insert (2)
6	33530	Hinged Hook Assembly	18	34410	Pivot Pin (2)
7	33685	Retaining Ring (2)	19	34415	Knob (2)
8	38695	Coil Spring (2)	20	34430	Washer (4)
9	33775	Hinge Pin Assembly (2)	21	32200	Swivel Nut (2)
10	35530	Lock Washer (2)	22	34795	Handle and Nut Assembly (2)
11	34375	Ratchet Pin	23	47090	Handle