

SuperFreeze[®] Pipe Freezing Units



⚠ WARNING!

Read this Operator's Manual carefully before using this tool. Failure to understand and follow the contents of this manual may result in extensive property damage and/or serious personal injury.

Table of Contents

Recording Form for Machine Serial Number	1
Safety Symbols	2
General Safety Rules	
Work Area Safety.....	2
Electrical Safety	2
Personal Safety	2
Power Tool Use and Care	3
Service	3
Pipe Freezing Unit Safety Warnings	3
Description, Specifications and Standard Equipment	
Description	3
Specifications.....	4
Standard Equipment	4
Icons	4
Pre-Operation Inspection	5
Machine and Work Area Set-Up	5
Capacities for Copper Tube & Steel Pipe	6
Operating Instructions	8
Freezing Times	9
Cleaning	9
Accessories	10
Machine Storage	10
Service and Repair	10
Disposal	10
Troubleshooting	11
Lifetime Warranty	Back Cover

*Original Instructions - English

SF-2300/SF-2500

SuperFreeze® Pipe Freezing Units



RIDGID

SuperFreeze® Pipe Freezing Units

Record Serial Number below and retain product serial number which is located on control panel.

Serial
No.

--	--

Safety Symbols

In this operator's manual and on the product, safety symbols and signal words are used to communicate important safety information. This section is provided to improve understanding of these signal words and symbols.

This is the safety alert symbol. It is used to alert you to potential personal injury hazards. Obey all safety messages that follow this symbol to avoid possible injury or death.

⚠ DANGER DANGER indicates a hazardous situation which, if not avoided, will result in death or serious injury.

⚠ WARNING WARNING indicates a hazardous situation which, if not avoided, could result in death or serious injury.

⚠ CAUTION CAUTION indicates a hazardous situation which, if not avoided, could result in minor or moderate injury.

NOTICE NOTICE indicates information that relates to the protection of property.

This symbol means read the operator's manual carefully before using the equipment. The operator's manual contains important information on the safe and proper operation of the equipment.

This symbol means always wear safety glasses with side shields or goggles when handling or using this equipment to reduce the risk of eye injury.

This symbol indicates the risk of frostbite from a cold surface.

This symbol indicates the risk of electrical shock.

General Safety Rules

⚠ WARNING

Read all safety warnings and all instructions. Failure to follow the warnings and instructions may result in electric shock, fire and/or serious injury.

SAVE ALL WARNINGS AND INSTRUCTIONS FOR FUTURE REFERENCE!

Work Area Safety

- **Keep your work area clean and well lit.** Cluttered or dark areas invite accidents.
- **Do not operate tools in explosive atmospheres, such as in the presence of flammable liquids, gases, or dust.** Tools create sparks which may ignite the dust or fumes.
- **Keep children and by-standers away while operating a tool.** Distractions can cause you to lose control.

Electrical Safety

- **Grounded tools must be plugged into an outlet properly installed and grounded in accordance with all codes and ordinances. Never remove the grounding prong or modify the plug in any way. Do not use any adapter plugs. Check with a qualified electrician if you are in doubt as to whether the outlet is properly grounded.** If the tool should electrically malfunction or break down, grounding provides a low resistance path to carry electricity away from the user.

- **Avoid body contact with grounded surfaces such as pipes, radiators, ranges and refrigerators.** There is an increased risk of electrical shock if your body is grounded.
- **Do not expose the equipment to rain or wet conditions.** Water entering a tool will increase the risk of electrical shock.
- **Do not abuse the cord. Never use the cord for carrying, pulling or unplugging the tool. Keep cord away from heat, oil, sharp edges or moving parts. Replace damaged cords immediately.** Damaged or entangled cords increase the risk of electric shock.
- **When operating a tool outside, use an outdoor extension cord marked "W-A" or "W".** These cords are rated for outdoor use and reduce the risk of electric shock.

Personal Safety

- **Stay alert, watch what you are doing and use common sense when operating a tool. Do not use a tool while you are tired or under the influence of drugs, alcohol, or medication.** A moment of inattention while operating tools may result in serious personal injury.
- **Use personal protective equipment. Always wear eye protection.** Protective equipment such as dust mask, non-skid safety shoes, hard hat, or hearing protection used for appropriate conditions will reduce personal injuries.

- **Do not overreach. Keep proper footing and balance at all times.** This enables better control of the power tool in unexpected situations.

Tool Use and Care

- **Do not force the tool. Use the correct tool for your application.** The correct tool will do the job better and safer at the rate for which it is designed.
- **Do not use tool if the switch does not turn it ON and OFF.** Any tool that cannot be controlled with the switch is dangerous and must be repaired.
- **Disconnect the plug from the power source before making any adjustments, changing accessories, or storing the tool.** Such preventive safety measures reduce the risk of starting the tool accidentally.
- **Store idle tools out of the reach of children and other untrained persons.** Tools are dangerous in the hands of untrained users.
- **Maintain the tools. Check for misalignment or binding of moving parts, breakage of parts and any other condition that may affect the tool's operation. If damaged, have the tool repaired before use.** Many accidents are caused by poorly maintained tools.
- **Use only accessories that are recommended by the manufacturer for your model.** Accessories that may be suitable for one tool, may become hazardous when used on another tool.

Service

- **Have your tool serviced by a qualified repair person using only identical replacement parts.** This will ensure that the safety of the tool is maintained.

Pipe Freezing Unit Safety Warnings

WARNING

This section contains important safety information that is specific to this tool.

Read these precautions carefully before using the SuperFreeze units to reduce the risk of electrical shock or other serious injury.

SAVE THESE INSTRUCTIONS!

The SuperFreeze® units include space in the unit to keep this manual with machine for use by the operator.

- **This tool is used to freeze a water plug inside copper, steel or other thermally conductive metallic tubes or pipes. Do not use on plastic pipe or**

tube. Follow instructions on proper use. Other uses may increase the risk of injury.

- **Do not touch the freeze heads while frosted.** Touching the freeze heads while frosted can cause frostbite. Wear gloves if handling during use.
- **Before opening piping system, test to confirm that the ice plugs are fully formed and stable.** Opening the piping system before a complete plug is frozen or allowing the plug to thaw while the system is open could cause burns, electric shock or other serious injury or result in flooding or other property damage.
- **Do not twist, kink or pull hoses. Do not open refrigerant piping.** This can lead to refrigerant leaks and cause frostbite, asphyxiation and other serious injury. If a leak occurs, leave the area until the refrigerant dissipates.

The EC Declaration of Conformity (890-011-320.10) will accompany this manual as a separate booklet when required.

If you have any question concerning this RIDGID® product:

- Contact your local RIDGID distributor.
- Visit www.RIDGID.com or www.RIDGID.eu to find your local RIDGID contact point.
- Contact Ridge Tool Technical Service Department at rttechservices@emerson.com, or in the U.S. and Canada call (800) 519-3456.

Description, Specifications and Standard Equipment

Description

The RIDGID® SuperFreeze® Pipe Freezing Units are used to freeze plugs in water piping systems to allow maintenance without shutting down or draining the system. The units are self-contained refrigeration units that circulate refrigerant to the aluminum freeze heads. The freeze heads, attached to the piping system, can freeze a plug in metallic tubing or pipes. Once the work is complete, the SuperFreeze unit is turned OFF and the ice plugs melt, returning the system to operation.

The SuperFreeze units do not use CO₂ or Nitrogen, and do not require the release of refrigerants. They use specially designed compressors with overload protection. The SF-2500 also includes quick restart capabilities. The freeze head hoses are leak free flexible rubber. The units are enclosed in a portable carry case.

Specifications

Parameter/Model	SF-2500, 115V	SF-2500, 230V	SF-2300, 230V
Capacity: Copper Tube	1/2 to 2 1/2 inch CTS	12 to 54 mm DN*	12 to 42 mm DN
Capacity: Steel Pipe	1/2 to 1 inch# (15 to 25 mm)	1/2 to 2 inch (15 to 50 mm)	1/2 to 1 1/4 inch# (15 to 32 mm)
Hose Length	8.5 ft (2.6 m)	8.5 ft (2.6 m)	6.5 ft (2 m)
Hose Span	17 ft (5.2 m)	17 ft (5.2 m)	13 ft (4 m)
Refrigerant	R-507	R-507	R-507
Compressor Type	Rotary, Hermetic, Low Back Pressure		Reciprocating
Motor Power	627 W	505 W	296 W
Fan Motor Power	2 x 18 W	2 x 17 W	17 W
Electric Supply	115 V, 1 Ph, 60 Hz	230 V, 1 ph, 50 Hz	230 V, 1 ph, 50 Hz
Dimension	24 1/2 x 11 x 14 1/2 inch (633 x 279 x 368)		21 x 10 1/2 x 13 inch (533 x 267 x 330)
Weight	69 lb (31 kg)		58 (26 kg)

* The freeze head cavities on these units are specifically sized for copper tube sizes. They may be used on steel pipe sizes with adherence to the instructions.
 # The freeze head cavities on these units are specifically sized for steel pipe sizes. They may be used on copper tube sizes with adherence to the instructions.

Standard Equipment

All SuperFreeze pipe freezing units come with the following:

- Two Velcro Straps with D-Ring
- Quick Grip Clamp
- Freeze Gel
- Water Spray Bottle
- Operator's Manual



Figure 1 – SF-2500 SuperFreeze Unit



Figure 2 – SF-2300 SuperFreeze Unit



Figure 3 – Unit Serial Number

The machine serial number is located on the control panel. An additional decal is supplied that indicates the month and year of manufacture. (05 = Month, 13 = Year)

Icons

- Power ON
- Power OFF

NOTICE This product is used to freeze ice plugs in water piping systems. The ability to freeze plugs is dependant on a wide variety of factors as discussed in this manual. Depending upon the exact set of circumstances, this product may not work in all cases.

Pre-Operation Inspection

WARNING



Before each use, inspect your pipe freezing unit and correct any problems to reduce the risk of serious injury from electrical shock and other causes and prevent unit damage.

1. Make sure that the pipe freezing unit is unplugged and the ON/OFF switch is in the OFF position.
2. Clean any oil, grease or dirt from all equipment and controls. This aids inspection and control of the unit.
3. Inspect the pipe freezing units for the following:
 - Inspect the cord and plug for damage or modification.
 - Proper assembly, maintenance and completeness.
 - Any broken, worn, missing, misaligned or binding parts.
 - Presence and readability of the warning label. (See Figures 1 and 2.)
 - Any other condition, which may prevent safe and normal operation.

If any problems are found, do not use the pipe freezing unit until the problems have been repaired.

4. Check the hoses to the freeze heads for cracks, kinks, breaks or other issues. The hoses can be coiled and flexed when not frosted. Care must be taken not to twist or kink hoses. This prevents hose damage.
5. Inspect the fan grille and louvers into the condenser housing to make sure that nothing is blocking the airflow. Lack of airflow through the unit can cause performance issues or damage the unit.
6. With dry hands, plug cord into properly grounded outlet, Move the switch to ON position. Confirm that the compressor motor starts and that the fan runs. Move the switch to OFF position and unplug the unit.

Machine and Work Area Set-Up

WARNING

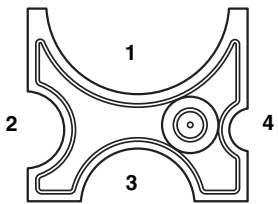


Set up the pipe freezing units and work area according to these procedures to reduce the risk of burns, electrical shock and other injuries and prevent machine damage.

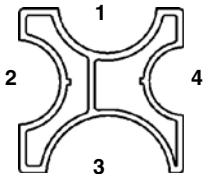
1. Check work area for:
 - Adequate lighting.
 - Flammable liquids, vapors or dust that may ignite. If present, do not work in area until sources have been identified and corrected. The Pipe Freezing Units are not explosion proof and can cause sparks.
 - Clear, level, stable, dry location for all equipment and operator.
 - Properly grounded electrical outlet of the correct voltage. A three-prong or GFCI outlet may not be properly grounded. If in doubt, have outlet inspected by a licensed electrician.
 - Clear path to electrical outlet that does not contain any potential sources of damage for the power cord.
 - Clear path for access to the work area.
2. Inspect the system and determine if the Pipe Freezing Unit will work.
 - Determine the system fluid – the unit will only work on systems containing water. Know what additives are in the water. Additives can change liquid freeze temperature and make freezing difficult or impossible.
 - Determine the system material and size – the unit will only work on metallic piping systems. For pipe and tube material and size see *Specifications*.
 - Determine the system water temperature and air temperature in the area of the desired plug. If temperatures exceed
 - up to 1" (25 mm) sizes – 110°F (43°C)
 - 1¼" (32 mm) and 1½" (42 mm) sizes – 90°F (32°C)
 - 2" (54 mm) and larger sizes – 80°F (27°C)
 The water/air must be cooled to below these temperatures for the SuperFreeze unit to be used.
 - Determine if there is flow in the system – the pipe freezing unit will not work on flowing water. If there is flow in the section of pipe to be frozen, the flow needs to be stopped by shutting a valve, turning OFF a circulating pump, or other appropriate means.

- Determine if the piping is filled with water. A plug cannot be frozen into partly filled pipes.
 - Determine where the piping system needs to be broken for the work that needs to be done.
 - Locate piping system shut-off valves or determine other methods to shut off system fluid flow to be used in case of emergency.
3. Determine location for freeze plug(s).
- The location must allow access for at least one freeze head. If only a single plug is required, it is preferred that there be enough space for both freeze heads. Freeze heads should not contact more than one pipe.
 - If the system will be soldered, brazed, welded, or other heat adding processes performed, the freeze plug(s) must be located as far away from the repair as possible. Excess heat can prematurely thaw the ice plug and allow water to flow while the system is open. The freeze plugs should be a minimum of one foot (0.3 m) away from the heat for each inch (25 mm) of diameter for steel pipe or tube. For all other materials, the plug should be at least three feet (0.9 m) away for each inch of pipe or tube diameter.
 - Ice plugs must be more than one foot (0.3 m) away from end caps, elbows, closed valves, other ice plugs or similar obstructions. Placing an ice plug closer can cause splitting of the pipe or tube.
 - Do not place ice plugs closer than 5 feet (1.5 m) from a circulating hot water (water hotter than ambient air but cooler than 100°F (38°C)) main for pipe sizes 1" (25 mm) and smaller or closer than 8 feet (2.4 m) from a circulating hot water main 1¼" (30 mm) or larger. Plugs placed closer to a circulating hot water main can prevent plug formation or can cause plug thawing.
4. Prepare the freeze plug locations. Remove all insulation and coatings from the pipe down to bare metal. If needed, remove any corrosion with a wire brush. Coatings and corrosion insulate the pipe and can slow or prevent the freezing process.
5. Place the unit so that freeze heads can reach desired plug points. Locate SuperFreeze on a solid, level surface, in an upright position. If the unit is not upright and level, it can cause damage to the compressor. Make sure the air inlet/outlet to condenser are not blocked. Blocked condenser openings will slow or prevent the freezing process. Be sure to locate the pipe freezing unit away from where the repair will occur and not under the freeze heads. This will help prevent the entry of water into the freezing unit and help prevent electrical shock.
6. Uncoil the hoses to the freeze heads. Use care not to twist or kink the hoses, this can damage the hose and prevent proper operation.
7. Choose the appropriate freeze head cavity for the size of pipe or tube to be frozen. The capacities for copper tube and steel pipe are listed in the chart that follows. Adapter bushings are required in some applications. If using on pipe or tube other than listed sizes, the pipe/tube diameter cannot be smaller than the freeze head/bushing diameter -1/8" (3.2 mm).
8. Apply freeze gel to the freeze head cavity. If using end adapter or bushings, apply freeze gel between the freeze head and the adapter and to the adapter surface that contacts the pipe. The freeze gel improves

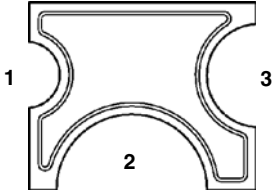
Capacities for Copper Tube and Steel Pipe

Model	Freeze Head	Copper Tube (CTS)	Steel Pipe [#]	Cavity	Req'd Bushing
SF-2500, 115V Domestic (68967) and 230V Domestic Export (68962)		½"	—	4	—
		¾"	½"	2	Cat. #69712
		1"	¾"	2	—
		1¼"	1"	3	Cat. #70652
		1½"	—	3	—
		2"	—	1	Cat. #69717
		2½"	—	1	—

* See Specifications

Model	Freeze Head	Copper Tube (DN)*	Steel Pipe	Cavity	End Adapter
SF-2500, 230V European Model (68832)		22 mm	½" (15 mm)	—	Cat. #68837
		28 mm	¾" (20 mm)	—	Cat. #72427
		35 mm	1" (25 mm)	4	—
		42 mm	1¼" (32 mm)	2	—
			1½" (40 mm)	1	—
			2" (50 mm)	3	—

* See Specifications

Model	Freeze Head	Copper Tube (DN) [†]	Steel Pipe	Cavity	Req'd Bushing
SF-2300, 230V European Model (41078)		12 mm	—	1	42838
		15 mm	—	1	42853
		18 mm	—	1	—
		22 mm	1/2" (15 mm)	3	42843
		28 mm	3/4" (20 mm)	3	—
		35 mm	1" (25 mm)	2	42833
		42 mm	1 1/4" (32 mm)	2	—

* See Specifications

the thermal conductivity between the freeze head and the pipe and decreases the time required to freeze a plug. If no freeze gel is available, use the spray bottle to spray water generously before and during the pipe freezing process.

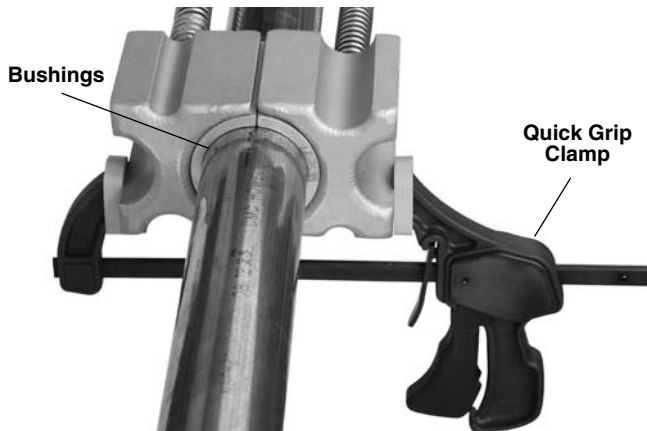


Figure 4 – Attaching Freeze Heads Using Quick Grip Clamp



Figure 5 – Applying Freeze Head with Velcro Strap

9. Attach the freeze heads to the pipe.

- Single freeze plug applications – In single freeze plug applications, both freeze heads should be applied opposite each other to form the plug. This will decrease the time required to freeze the plug. Use the Quick Grip clamp (Figure 4) or Velcro Strap (Figure 5) to secure the freeze heads to the pipe. If using the Quick Grip clamp do not over tighten the clamp and deform the pipe.

Forming a single freeze plug with freeze heads positioned opposite to each other and using freeze gel and quick grip clamp is the preferred method for use on more difficult applications (higher temperatures, larger pipe sizes, etc.). If two freeze plugs are required in a difficult application, it may be necessary to use two pipe freezing units, one for each plug.

- Two freeze plug applications – When two separate freeze plugs are required to isolate a section of the system, one freeze head is attached at each point (Figure 6). Tightly secure the freeze heads to the pipe with either Quick Grip clamp or Velcro straps. If using the Quick Grip clamp do not over tighten the clamp and deform the pipe.

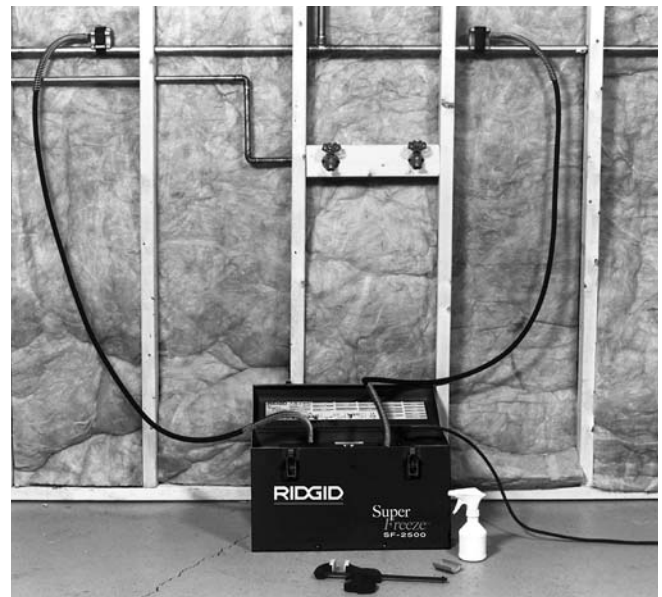


Figure 6 – Two Freeze Plug Application

- If the standard freeze head cannot be used, adapters are available. Freeze gel (if being used) is applied to the back of the adapter and to the surface that contacts the tube. Tightly secure the freeze heads to the tube with either the Quick Grip clamp or the Velcro straps. If using the Quick Grip clamp do not over tighten the clamp and deform the tube. See Figure 7.



Figure 7 – Freeze Head with End Adapter Attached with Velcro Strap

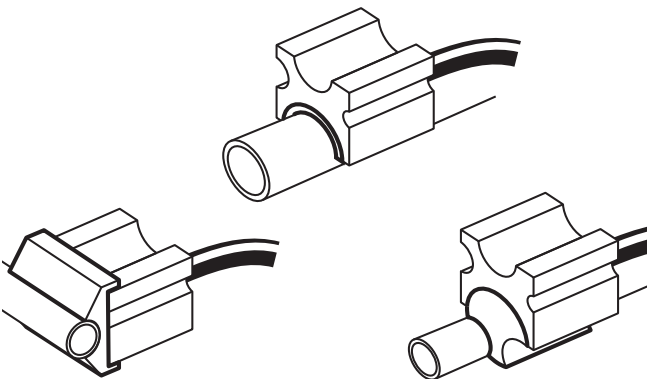


Figure 8 – Freeze Heads with Various Adapters

10. Run cord along previously identified clear path. With dry hands, plug the SuperFreeze into the previously identified properly grounded outlet. If the power cord is not long enough, use an extension cord that
 - Is in good condition.
 - Has a three prong plug similar to that supplied on the Pipe Freezing Unit.
 - Is rated for outdoor use and contains a W or W-A in the cord designation (i.e. SOW), or complies with H05VV-F, H05RN-F types or IEC type design (60227 IEC 53, 60245 IEC 57).
 - Has sufficient wire size (16 AWG (1.5 mm²) for 50' (15.2 m) or less, 14 AWG (2.5 mm²) for 50' – 100' (15.2 m – 30.5 m) long). Undersized wires can overheat, melting the insulation or causing a fire or other damage.

Operating Instructions

⚠ WARNING



Before opening system, test to confirm that the ice plugs are fully formed and stable. Opening the piping system before a complete plug is frozen or allowing the plug to thaw while the system is open could cause burns, electric shock or other serious injury or result in flooding or other property damage. Make sure the machine is properly set up and do not allow the Pipe Freezing Unit to shut OFF during use.

The freeze heads and hoses get extremely cold and can cause frostbite if touched during operation. Wear gloves if handling during use.

Always wear eye protection to protect your eyes from dirt and other foreign objects. Always wear appropriate protective equipment for the piping contents.

Follow operating instructions to reduce the risk of injury from burns, frostbite, electrical shock and other causes.

1. Make sure that machine and work area is properly set up and that the work area is free of bystanders and other distractions.
2. Turn the machine ON.
3. Allow the machine to run for 2-3 minutes. Freeze heads should start to frost. Use spray bottle to spray water between freeze heads and pipe. The water will freeze and fill any gaps between the freeze head, pipe and any adapters used. This improves thermal conductivity and will improve freeze times, while gaps between the freeze head and pipe will prevent freeze plug formation. Make sure that any dripping water does not cause a hazard. If freeze gel was used, then water spray may not be necessary.

If the freeze heads do not become cold and covered with ice and frost after approximately 7 minutes, turn the unit OFF for 3 minutes and restart. If the freeze heads still do not become cold, see the "Troubleshooting" section.

4. Once the freeze heads are frozen to the pipe, allow the ice plug to form. If the ambient temperature is high, but not above 100°F (38°C), the freeze heads can be wrapped with pipe insulation or other insulation to improve freeze times.

Do not leave the unit unattended. Pipes can freeze and split during the freezing process and monitoring can minimize the hazard and damage. If for some reason the power to the freezing unit is interrupted, turn the ON/OFF switch to OFF and do not restart for at least 30 seconds to prevent compressor damage.



Figure 9 – Freeze Head Frozen to Pipe

Time to freeze a fully formed ice plug depends on a variety of factors, including water temperature, ambient temperature, distance from heat sources, pipe size and wall thickness, pipe material, number of freeze heads, quality of contact between freeze heads and pipe, and other conditions. The following table of freeze times is based on water temperature being the same as ambient temperature, use on copper tube, use of freeze gel and use of two freeze heads. Freeze times for steel pipe will be longer. Freeze times for other less optimal conditions may be double those shown or greater. Freeze times are only provided as a general guide.

5. Carefully test the system to make sure that the plugs are complete and there is no flow before opening the system. This can be done by opening a valve downstream of the plug and verifying that there is no flow. Another method is to use a saddle tap valve (similar to those used to install icemakers) to pierce a copper tube and check for water flow. If there is flow, close the system and continue the freezing process.

Wait at least five more minutes after confirmation that there is no water flow to proceed with opening the system for work. On high temperature applications, water temperature over 90°F (32°C) but below 100°F (38°C), wait at least 15 minutes. Do not shut OFF the freezing unit.

Freezing Times

Nominal Copper Tube Diameter		Ambient/Water Temperature		Approx. Freezing Times (Minutes)	
CTS Inches	DN mm	°F	°C	SF-2500	SF-2300
1/2	15	70	21	6	5
		80	26	8	6
		90	32	10	8
3/4	22	70	21	8	6
		80	26	10	8
		90	32	13	10
1	28	70	21	10	10
		80	26	13	12
		90	32	16	15
1 1/4	35	70	21	12	NA
		80	26	15	NA
		90	32	19	NA
1 1/2	42	70	21	19	21
		80	26	22	26
		90	32	28	42
2	54	70	21	23	NA
		80	26	25	NA
		90	32	28	NA
2 1/2		70	21	40	NA
		80	26	51	NA
		90	32	55	NA

6. Once the ice plug has been completely formed and enough time has passed since confirmation that there is no flow in the pipe, the pipe can be opened. When opening the system, be prepared for the possibility of liquid coming out of the line and wear proper protective equipment in case a plug fails. Be sure to follow the guidelines in the set up section for distance from plug to heating of system for soldering, brazing, etc. Do not shut OFF the freezing unit while making repairs. This will help insure that the plug does not melt while the system is open.
7. When the repair is complete and system is closed, shut OFF and unplug pipe freezing unit, and allow ice and frost to melt off the freeze heads and hoses.

NOTICE Do not try to remove the freeze heads from the pipe or coil the hoses until they are completely thawed. This can result in damage to the hoses and freeze heads. If freeze heads and hoses must be removed more quickly, a heat gun can be used to thaw them.

Cleaning

After each use, clean the freeze heads with a soft cloth. Clean the condenser fan grilles to remove dirt. Wipe frost/water from the fully thawed freeze heads and hoses.

Accessories

⚠ WARNING

To reduce the risk of serious injury, only use accessories specifically designed and recommended for use with the SuperFreeze Pipe Freezing Units such as those listed below. Other Accessories suitable for use with other tools may be hazardous when used with the Pipe Freezing Units.

Catalog No.	Description
For SF-2500:	
69712	SF-2500R 3/4" CTS Bushings (set of 2)
70652	SF-2500R 1 1/4" CTS Bushings (set of 2)
69717	SF-2500R 2" CTS Bushings (set of 2)
68857	SF-2500R 1/2" End Adapters (set of 2)
68862	SF-2500R 3/4" CTS End Adapters (set of 2)
68837	SF-2500R 22 mm End Adapters (set of 2)
72427	SF-2500R 28 mm End Adapters (set of 2)
72422	Set of 2 End Adapters 3/4" Fe (28 mm)
66986	Set of 2 End Adapters 12 mm to 16 mm
65976	Set of 2 End Adapters 3/8" Fe (18 mm), 1/2" Fe (22 mm)
For SF-2300:	
42838	12mm Bushings (set of 2)
42853	15mm Bushings (set of 2)
42843	22mm Bushings (set of 2)
42833	35mm Bushings (set of 2)
For SF-2500 and SF-2300:	
65942	Quick Grip Clamp
69707	Velcro Straps (set of 2)
74946	RIDGID Freeze Gel
60776	Spray Bottle, 8 oz. (0.25 liter)

Further information on accessories specific to the tool can be found in the RIDGID Catalog and online at www.RIDGID.com or www.RIDGID.eu.

Machine Storage

The RIDGID SuperFreeze Pipe Freezing Units must be stored in a dry secure, locked area, out of the reach of children and people unfamiliar with the Units.

Wipe frost/water from the fully thawed freeze heads and lines. Coil the hose in the adjacent compartment. Do not cross the hoses. The aluminum freeze heads should be protected from impact, sharp objects and rough handling.

NOTICE Do not store the pipe freezing unit in a vehicle. Excessive vibration and shock can damage the unit. Firmly secure the unit when transporting.

Service and Repair

⚠ WARNING

Improper service or repair can make the SuperFreeze Pipe Freezing Units unsafe to operate.

RIDGID SuperFreeze Pipe Freezing units contain refrigerant which requires certified service people. Service and repair of the SuperFreeze Pipe Freezing Units must be performed by a RIDGID Independent Authorized Service Center.

For information on your nearest RIDGID® Independent Service Center or any service or repair questions:

- Contact your local RIDGID distributor.
- Visit www.RIDGID.com or www.RIDGID.eu to find your local RIDGID contact point.
- Contact Ridge Tool Technical Service Department at rtctechservices@emerson.com or in the U.S. and Canada call (800) 519-3456

Disposal

Parts of the RIDGID SuperFreeze Pipe Freezing Units contain valuable materials and can be recycled. There are companies that specialize in recycling that may be found locally. Dispose of the components in compliance with all applicable regulations. Contact your local waste management authority for more information.



For EC Countries: Do not dispose of electrical equipment with household waste!

According to the European Guideline 2002/96/EC for Waste Electrical and Electronic Equipment and its implementation into national legislation, electrical equipment that is no longer usable must be collected separately and disposed of in an environmentally correct manner.

Troubleshooting

PROBLEM	POSSIBLE REASONS	SOLUTION
Freeze heads do not become frost-covered after 7 minutes.	Unit has been stored in a cold location; unit has not been used for long time.	If freeze heads are not cold and frost-covered after 7 minutes, turn the unit OFF. Keep the unit OFF for 3 minutes, and then restart.
	No power supply.	Make sure of proper power supply without any interruption & compressor fan running.
	No air circulation to the condenser unit.	Check that there is unrestricted air circulation to the condenser unit. Check the condenser unit's inlet air ports and clean.
	Pipe Freezing unit has lost its charge.	Contact Technical Service Department at Ridge Tool (<i>see Service and Repair</i>).
The freeze heads get cold and frost covered but the pipe will not freeze.	Water flow in the pipe.	Check for water flow. If this exists, stop the flow.
	Poor contact between heads and pipe.	Use the water spray bottle or freeze gel to build an ice bridge and provide the contact for heat transfer. The slightest air gap will prevent freezing.
	Pipe is not completely full of water.	Make sure system is full of water.
	System is filled with something other than water.	Pipe freezing unit will not work.
	Water temperature is too high.	Allow the system to cool off or freeze heads are too close to circulating main, stop flow in circulating main.
	Air temperature is too high.	After freeze head is frozen to pipe, wrap with insulation.
Tripping of the unit.	Overloading of the compressor.	The compressor is thermally protected; it will take time for automatic restart.

SF-2300/SF-2500

Congélateurs de conduite SuperFreeze®



AVERTISSEMENT

Familiarisez-vous avec ce mode d'emploi avant d'utiliser l'appareil. L'incompréhension ou le non respect des consignes ci-devant pourrait occasionner des chocs électriques, un incendie et/ou de graves lésions corporelles.

Congélateurs de conduite SuperFreeze®

Pour future référence, enregistrez ci-dessous le numéro de série indiquée sur la plaque signalétique de l'appareil.

N° de
série

--

Table des matières

Fiche d'enregistrement du numéro de série de l'appareil	13
Symboles de sécurité	15
Consignes générales de sécurité	
Sécurité des lieux.....	15
Sécurité électrique	15
Sécurité individuelle	16
Utilisation et entretien des appareils électriques	16
Service après-vente	16
Sécurité des congélateurs de conduite	16
Description, fiche technique et équipements de base	
Description	17
Fiche technique	17
Équipements de base	17
Icônes	18
Inspection préalable	18
Préparation de l'appareil et des lieux	19
Diamètres pour tuyaux cuivre et acier	20
Consignes d'utilisation	22
Temps de congélation	23
Nettoyage	23
Accessoires	24
Entretien et rangement	24
Révisions et réparations	24
Recyclage	24
Dépannage	25
Garantie à vie	Page de garde

*Traduction de la notice originale

Symboles de sécurité

Les symboles et mots clés utilisés à la fois dans ce mode d'emploi et sur l'appareil lui-même servent à signaler d'importants risques de sécurité. Ce qui suit permettra de mieux comprendre la signification de ces mots clés et symboles.



Ce symbole sert à vous avertir de risques d'accident potentiels. Le respect des consignes qui le suivent vous permettra d'éviter les risques d'accident grave ou potentiellement mortel.

⚠ DANGER

Le terme DANGER signifie une situation dangereuse qui, faute d'être évitée, provoquerait la mort ou de graves blessures corporelles.

⚠ AVERTISSEMENT

Le terme AVERTISSEMENT signifie une situation dangereuse potentielle qui, faute d'être évitée, serait susceptible d'entraîner la mort ou de graves blessures corporelles.

⚠ ATTENTION

Le terme ATTENTION signifie une situation dangereuse potentielle qui, faute d'être évitée, serait susceptible d'entraîner des blessures corporelles légères ou modérées.

AVIS IMPORTANT

Le terme AVIS IMPORTANT indique des informations concernant la protection des biens.



Ce symbole indique la nécessité de bien se familiariser avec la notice d'emploi avant d'utiliser ce matériel. La notice d'emploi renferme d'importantes consignes de sécurité et d'utilisation du matériel.



Ce symbole impose le port systématique de lunettes de sécurité à ?illères lors de la manipulation ou utilisation ce type de matériel afin de limiter les risques de lésion oculaire.



Ce symbole signale un risque de gerçure au contact des surfaces gelées.



Ce symbole signale un risque de choc électrique.

Consignes générales de sécurité

⚠ AVERTISSEMENT

Familiarisez-vous avec l'ensemble des consignes de sécurité et d'utilisation ci-présentes afin d'éviter les risques de choc électrique, d'incendie et/ou de grave blessure corporelle.

Conservez l'ensemble des consignes de sécurité et d'utilisation pour future référence.

Sécurité du chantier

- **Assurez-vous de la propreté et du bon éclairage des lieux.** Les chantiers encombrés ou mal éclairés sont une invitation aux accidents.
- **N'utilisez pas ce type d'appareil en présence de substances volatiles telles que liquides, gaz ou poussières combustibles.** Ce type de matériel risque de produire des étincelles susceptibles d'enflammer les poussières et émanations combustibles.
- **Eloignez les enfants et les curieux durant l'utilisation des appareils électriques.** Les distractions risquent de vous faire perdre le contrôle de l'appareil.

Sécurité électrique

- **Les appareils avec terre doivent être branchés sur des prises avec terre correctement installées selon l'ensemble des normes applicables. Ne jamais éliminer la barrette de terre de la fiche ou modifier**

celle-ci d'une manière quelconque. Ne pas utiliser d'adaptateurs. Consultez un électricien en cas de doute sur la mise à la terre appropriée du réseau. En cas de défaillance de l'appareil, sa mise à la terre assure un passage de faible résistance pour éloigner le courant de l'utilisateur.

- **Évitez tout contact avec des objets reliés à la terre tels que canalisations, radiateurs, cuisinières et réfrigérateurs.** Tout contact avec la terre augmenterait les risques de choc électrique.
- **N'exposez pas l'appareil à la pluie ou aux intempéries.** Toute pénétration d'eau à l'intérieur d'un appareil électrique augmenterait les risques de choc électrique.
- **Ne maltraitez pas le cordon d'alimentation de l'appareil. Ne jamais porter l'appareil par son cordon d'alimentation, ni tirer sur ce dernier pour le débrancher. Eloignez le cordon d'alimentation des sources de chaleur, de l'huile, des objets tranchants et des mécanismes. Remplacez immédiatement tout cordon d'alimentation endommagé.** Les cordons d'alimentation endommagés ou entortillés augmentent les risques de choc électrique.
- **Lors de l'utilisation de l'appareil à l'extérieur, prévoyez une rallonge électrique comportant la mention « W-A » ou « W ».** Ce type de rallonge est conçu pour une utilisation à l'extérieur et limite les risques de choc électrique.

Sécurité individuelle

- **Soyez attentif, restez concentré et faites preuve de bon sens lors de l'utilisation de ce type d'appareil. Ne jamais utiliser ce matériel lorsque vous êtes fatigué ou sous l'influence de drogues, de l'alcool ou de médicaments.** Lors de l'utilisation d'un appareil électrique, un instant d'inattention risque d'entraîner de graves lésions corporelles.
- **Prévoyez les équipements de protection individuelle nécessaires.** Portez systématiquement une protection oculaire. Le port d'équipements de protection tels que gants, masque à poussière, chaussures antidérapantes, casque de chantier et protecteurs d'oreilles aidera, selon le cas, à limiter les risques de lésions corporelles.
- **Ne vous mettez pas en porte-à-faux. Maintenez une bonne position de travail et un bon équilibre à tout moment.** Cela vous permettra de mieux contrôler l'appareil en cas d'imprévu.

Utilisation et entretien du matériel

- **Ne forcez pas l'appareil. Prévoyez l'appareil approprié en fonction des travaux envisagés.** L'appareil approprié fera le travail plus efficacement et avec un plus grand niveau de sécurité lorsqu'il tourne au régime prévu.
- **N'utilisez pas d'appareil dont l'interrupteur n'assure pas sa mise en marche ou son arrêt.** Tout appareil qui ne peut pas être contrôlé par son interrupteur est dangereux et doit être réparé.
- **Débranchez l'appareil avant tout réglage, changement d'accessoires ou stockage de celui-ci.** De telles mesures préventives limiteront les risques de démarrage accidentel de l'appareil.
- **Rangez tout appareil non utilisé hors de la portée des enfants et autres individus non-initiés.** Ce type d'appareil peut s'avérer dangereux entre les mains d'utilisateurs non-initiés.
- **Entretenez le matériel.** Examinez-le pour signes de grippage, de bris et de toute autre anomalie qui risquerait de nuire à son bon fonctionnement. Le cas échéant, il sera nécessaire de le faire réparer avant de l'utiliser. De nombreux accidents sont provoqués par du matériel mal entretenu.
- **N'utilisez que les accessoires recommandés par le fabricant pour le type de matériel en question.** Toute tentative d'adaptation d'accessoires prévus pour un autre type d'appareil pourrait s'avérer dangereuse.

Service après-vente

- **Confiez l'appareil à un réparateur qualifié se servant exclusivement de pièces de rechange d'origine.** Cela assurera une meilleure sécurité opérationnelle de l'appareil.

Consignes de sécurité applicables aux congélateurs de conduite

⚠ AVERTISSEMENT

Le chapitre suivant renferme d'importantes consignes de sécurité applicables à ce type d'appareil en particulier.

Familiarisez-vous avec ces consignes avant d'utiliser un SuperFreeze afin de limiter les risques de choc électrique ou autres blessures corporelles graves.

CONSERVEZ CES CONSIGNES !

Les congélateurs de conduite SuperFreeze® disposent d'un rangement pour le présent manuel afin de le garder à portée de main de l'utilisateur.

- **Cet appareil sert à créer des bouchons de glace à l'intérieur de conduites en cuivre, acier ou autres métaux assurant une bonne conductivité thermique. Ne pas utiliser l'appareil sur des conduites en matière plastique.** Respectez les consignes d'utilisation de l'appareil. Tout autre emploi pourrait augmenter les risques de blessure.
- **Ne jamais toucher les têtes de congélation lorsque celles-ci sont givrées.** Toucher des têtes de congélation givrées pourrait provoquer des engelures. Si vous devez les manipuler en cours d'utilisation, portez des gants.
- **Vérifiez la parfaite formation et stabilité des bouchons de glace avant de remettre le réseau en charge.** La mise en charge du réseau avant la formation complète des bouchons de glace, de même que la fonte des bouchons en cours d'opération, pourrait occasionner des brûlures, des chocs électriques ou autres blessure grave et provoquer des inondations ou autres dégâts matériels.
- **Ne pas vriller, plisser, stresser ou démonter les flexibles de congélation.** Cela pourrait provoquer des fuites de réfrigérant et entraîner des engelures, l'asphyxie ou autres graves lésions corporelles. En cas de fuite, quittez les lieux jusqu'à dissipation totale du gaz réfrigérant.

Au besoin, la Déclaration de conformité CE N° 890-011-320.10 accompagnera cette notice.

En cas de questions concernant ce produit RIDGID® veuillez :

- Consulter le distributeur RIDGID le plus proche ;
- Visiter le site www.RIDGID.com ou www.RIDGID.eu afin de localiser le représentant RIDGID le plus proche ;
- Consulter les services techniques Ridge Tool par mail adressé à rtctechservices@emerson.com, ou bien en appelant le (800) 519-3456 (à partir des Etats-Unis ou du Canada exclusivement).

Description, fiche technique et équipements de base

Description

Les congélateurs de conduite RIDGID® SuperFreeze® servent à créer des bouchons de glace dans les conduites d'adduction d'eau afin d'y permettre des interventions ponctuelles sans coupure ni vidange du réseau. Il s'agit d'appareils de congélation autonomes qui alimentent des têtes de congélation en aluminium qui, lorsqu'elles sont attachées à une conduite métallique, créent des bouchons de glace de part et d'autre de la zone d'intervention. En fin d'intervention, il s'agit simplement d'éteindre le congélateur SuperFreeze pour laisser fondre les bouchons et rétablir la circulation.

Les congélateurs de conduite SuperFreeze n'utilisent ni CO₂ ni azote, et ne libèrent aucun gaz réfrigérant. Ils sont équipés de compresseurs spécialement étudiés et pourvus d'une protection de surcharge. Le modèle SF 2500 reçoit

en plus un dispositif de relance rapide. Les flexibles de tête de congélation sont en caoutchouc étanche. L'ensemble est contenu dans une mallette de transport.

Equipements de base

Chaque congélateur de conduite SuperFreeze est livré avec les éléments suivants :

- Deux sangles Velcro avec boucle
- Serre-joint
- Gel de congélation
- Pulvérisateur
- Mode d'emploi

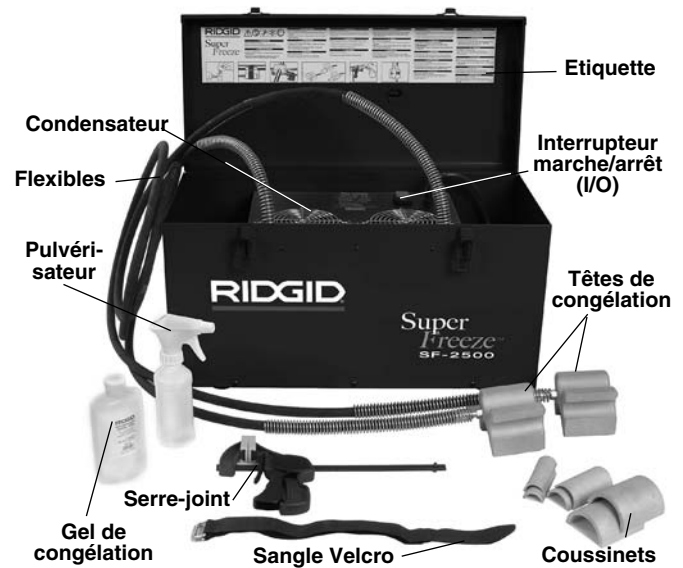


Figure 1 – Congélateur de conduite SuperFreeze SF-2500

Fiche technique

Paramètre / Modèle	SF-2500 / 115V	SF-2500 / 230V	SF-2300 / 230V
Ø tuyau cuivre	1/2 à 2 1/2 pouces CTS	12 à 54 mm DN*	12 à 42 mm DN
Ø tuyau acier	1/2 à 1 pouce* (15 à 25 mm)	1/2 à 2 pouces (15 à 50 mm)	1/2 à 1 1/4 pouces* (15 à 32 mm)
Longueur des flexibles	8,5 pieds (2,60 m)	8,5 pieds (2,60 m)	6,5 pieds (2,0 m)
Ecartement maxi	17 pieds (5,20 m)	17 pieds (5,20 m)	13 pieds (4 m)
Réfrigérant	R-507	R-507	R-507
Compresseur	Rotatif, hermétique à faible refoulement		Réciproque
Puissance moteur	627 W	505 W	296 W
Puissance ventilateur	2 x 18 W	2 x 17 W	17 W
Alimentation électrique	Monophasé 115V/60 Hz	Monophasé 230V/50 Hz	Monophasé 230V/50 Hz
Dimensions	24, 5 x 11 x 14,5 pouces (633 x 279 x 368 mm)		21 x 10,5 x 13 pouces (533 x 267 x 330 mm)
Poids	69 livres (31 kg)		58 livres (26 kg)

* Si les têtes de congélation de ce type d'appareil sont prévues pour les sections nominales des tuyaux de cuivre, elles peuvent servir sur des tuyaux acier en respectant les consignes données.

* Si les têtes de congélation de ce type d'appareil sont prévues pour les sections nominales des tuyaux d'acier, elles peuvent servir sur des tuyaux de cuivre en respectant les consignes données.



Figure 2 – Congélateur de conduite SuperFreeze SF-2300



Figure 3 – Numéro de série de l'appareil

Le numéro de série de l'appareil se trouve sur le tableau de commande. Un autocollant supplémentaire indique le mois et l'année de fabrication (05 = mois, 13 = année).

Icônes

-  Marche
-  Arrêt

AVIS IMPORTANT Cet appareil sert à créer des bouchons de glace dans les conduites d'adduction d'eau. Comme indiqué plus loin, la qualité des bouchons de glace ainsi formés dépend d'une variété de paramètres. Dans certaines circonstances particulières, l'appareil risque d'être incapable de fonctionner correctement.

Inspection préalable de l'appareil

⚠ AVERTISSEMENT



Examinez le congélateur de conduites avant chaque intervention afin de rectifier d'éventuelles anomalies susceptibles d'endommager l'appareil et augmenter les risques de choc électrique ou autres blessures graves.

1. Assurez-vous que le congélateur de conduites est débranché et que son interrupteur se trouve en position « Arrêt ».
2. Éliminez toutes traces d'huile, de graisse et de crasse des surfaces de l'ensemble du matériel et notamment des commandes de l'appareil. Cela facilitera l'inspection et la manipulation du système.
3. Examinez le congélateur de conduites selon les points suivants :
 - Examinez le cordon d'alimentation de l'appareil pour signes de détérioration ou de modification.
 - Vérifiez l'assemblage, le bon état général et l'intégrité du système.
 - Confirmez l'absence d'éléments brisés, usés, manquants, désalignés ou grippés.
 - Vérifiez la présence et la lisibilité des mises en garde affichées sur l'appareil (Figures 1 et 2).
 - Repérez toute autre anomalie susceptible de nuire au bon fonctionnement et à la sécurité opérationnelle du système.

Toute anomalie éventuelle devra être corrigée avant d'utiliser le congélateur de conduites.
4. Examinez les flexibles des têtes de congélation pour signes de fissuration, de plissage, de rupture ou autres anomalies. Tant qu'ils ne sont pas givrés, les flexibles peuvent être enroulés ou repliés, mais jamais vrillés ou plissés, car cela pourrait les endommager.
5. Vérifiez qu'il n'y a aucune obstruction au niveau de la grille et des volets du carter de ventilation du condensateur qui serait susceptible de limiter l'appel d'air du congélateur. Un manque de circulation d'air pourrait nuire aux performances et endommager l'appareil.
6. Avec les mains sèches, branchez la fiche du cordon d'alimentation du congélateur sur une prise de courant avec terre appropriée. Mettez l'interrupteur de l'appareil en position « Marche » afin de vérifier le lancement du

compresseur et de son ventilateur. Ramenez l'interrupteur du congélateur à la position « Arrêt », puis débranchez-le.

Préparation de l'appareil et du chantier

⚠ AVERTISSEMENT



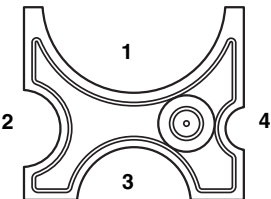
Respectez les consignes de préparation du congélateur de conduites et du chantier ci-après afin de limiter les risques de brûlure, de choc électrique ou autres blessures et assurer le bon fonctionnement du système.

1. Examinez le chantier pour :
 - Un éclairage adéquat.
 - La présence éventuelle de liquides, émanations ou poussières volatiles. Le cas échéant, identifiez et éliminez leur source avant toute intervention. Les congélateurs de conduite ne sont pas blindés et risquent de produire des étincelles.
 - Une surface plane, dégagée, stable et sèche à la fois pour l'installation du matériel, et pour son utilisateur.
 - La présence d'une prise de courant avec terre de tension appropriée. En présence d'une prise de courant ou d'un disjoncteur différentiel dont la mise à la terre est douteuse, faites préalablement contrôler le circuit par un électricien.
 - L'assurance de pouvoir acheminer le cordon d'alimentation jusqu'à la prise de courant sans risquer de l'endommager.
 - D'éventuelles difficultés d'accès.
2. S'assurer que le congélateur peut fonctionner sur le réseau envisagé.
 - Liquides congelables – L'eau est le seul liquide que peut congeler cet appareil. Il convient d'établir la nature d'éventuels additifs. La présence d'additifs peut éventuellement modifier la température de congélation de l'eau au point de rendre cette congélation difficile, voire impossible.
 - Composition et section des conduits – Cet appareil ne peut fonctionner que sur des réseaux composés de conduits métalliques. Se reporter au chapitre *Caractéristiques techniques* pour les compositions et sections de tuyau compatibles.
- Température de l'eau et température ambiante – Si l'une d'elles dépasse :
 - 110°F (43°C) pour des tuyaux allant jusqu'à 1" (25 mm) de diamètre
 - 90°F (32°C) pour des tuyaux de 1¼" (32 mm) à 1½" (42 mm)
 - 80°F (27°C) pour des tuyaux de 2" (54 mm) ou plus
 Elle devra être ramenée dans les normes avant de pouvoir utiliser le SuperFreeze.
- S'assurer que l'adduction d'eau est coupée. Le congélateur de conduites ne peut pas fonctionner en présence d'eau courante. Le cas échéant, coupez l'eau en fermant le robinet, en arrêtant la pompe ou en utilisant tout autre moyen de coupure applicable.
- S'assurer que le réseau est en charge. Un bouchon de glace ne peut pas se former dans une conduite partiellement remplie.
- Déterminez les points de coupure nécessaire en fonction des travaux envisagés.
- Localisez les robinets d'arrêt du système ou trouvez d'autres moyens de couper l'eau en cas d'urgence.

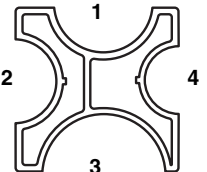
 3. Positionnez les bouchons de glace.
 - L'emplacement sélectionné doit permettre l'installation d'au moins une tête de congélation. Même s'il ne s'agit que de l'utilisation d'une seule tête de congélation, il est conseillé de prévoir suffisamment de marge pour une seconde. Les têtes de congélation ne doivent entrer en contact qu'avec un seul tuyau.
 - Lorsqu'il s'agit de souder, braser ou autrement chauffer le tuyau, il sera nécessaire d'éloigner autant que possible le ou les bouchon(s) de glace du point d'intervention afin d'éviter leur fonte prématurée. Lorsqu'il s'agit de tuyauteries en acier, les bouchons de glace doivent être éloignés d'au moins 1 pied (30 cm) de la source de chaleur pour chaque pouce (25 mm) de diamètre de tuyau. Dans tout autre cas, la distance minimale est de trois pieds (90 cm) par pouce de diamètre du tuyau.
 - Les bouchons de glace doivent se trouver à plus d'un pied (30 cm) de tout capuchon, coude, robinet fermé, autre bouchon de glace ou autre obstacle éventuel. Une plus proche proximité du bouchon de glace pourrait provoquer l'éclatement du tuyau.
 - Ne jamais former un bouchon de glace à moins de 5 pieds (1,50 m) d'un circuit d'eau chaude (eau dont la température est supérieure à la température ambiante, mais inférieure à 100°F (38°C) d'une section maximale de 1" (25 mm), ou à moins de 8 pieds (2,40 m) d'un circuit d'eau chaude de 1¼" (30 mm) ou plus. En-delà, les bouchons de glace risquent de fondre ou ne pas se former du tout.

- Préparez l'assise des têtes de congélation. Dénudez le tuyau de toute isolation et revêtement éventuel pour exposer le métal nu. Au besoin, utilisez une brosse métallique pour éliminer d'éventuelles traces de rouille. Le revêtement et la corrosion peuvent isoler le tuyau au point d'empêcher la formation de bouchons de glace.
- Positionnez l'appareil de manière à pouvoir atteindre les deux points de congélation simultanément. Posez le SuperFreeze d'aplomb sur une surface plane et solide. La moindre inclinaison de l'appareil pourrait endommager son compresseur. Assurez-vous que les grilles d'arrivée et de sortie d'air du compresseur sont dégagées. L'obstruction des passages d'air du compresseur pourrait ralentir ou empêcher le processus de congélation. N'oubliez pas d'éloigner le congélateur de conduites du point d'intervention, et de ne pas le positionner sous les têtes de congélation. Cela limitera les risques de pénétration d'eau et de choc électrique éventuel.
- Déployez les flexibles des têtes de congélation en faisant attention de ne pas les vriller ou plisser, car cela pourrait endommager les flexibles et nuire au bon fonctionnement de l'ensemble.
- Sélectionnez le profil de tête de congélation approprié en fonction de la section du tuyau à congeler. Les profils correspondants aux sections nominales de tuyau en cuivre et acier sont indiqués ci-après. Certaines applications nécessitent l'emploi de coussinets. Lors de l'utilisation de l'appareil sur des sections nominales non indiquées, le diamètre du tuyau ne peut pas être inférieur au diamètre de la tête de congélation avec coussinet correspondant la plus petite, voire moins de 1/8" (3,2 mm).
- Enduisez la surface de la tête de congélation de gel. Lors de l'utilisation d'un adaptateur d'embout ou d'un coussinet, appliquez le gel entre la surface de la tête de congélation et l'adaptateur, puis sur la surface de l'adaptateur. Le gel de congélation améliore la conductivité thermique entre la tête de congélation et le tuyau et diminue le temps de congélation nécessaire. En l'absence de gel de congélation, servez-vous du pulvérisateur pour asperger les têtes avant et tout au long du processus de congélation.

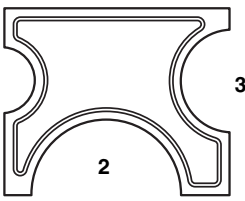
Profils pour tuyaux cuivre et acier

Modèle	Tête de congélation	Tuyau cuivre (CTS)	Tuyau acier*	Profil	Coussinets nécessaires
SF-2500, 115V Domestique (68967) et 230V Domestique Export (68962)		1/2"	—	4	—
		3/4"	1/2"	2	Réf. #69712
		1"	3/4"	2	—
		1 1/4"	1"	3	Réf. #70652
		1 1/2"	—	3	—
		2"	—	1	Réf. #69717
		2 1/2"	—	1	—

*Voir Caractéristiques

Modèle	Tête de congélation	Tuyau cuivre (DN)*	Tuyau acier	Profil	Adaptateur d'embout
SF-2500, 230V Modèle Européen (68832)		22 mm	1/2" (15 mm)	—	Réf. #68837
		28 mm	3/4" (20 mm)	—	Réf. #72427
		35 mm	1" (25 mm)	4	—
		42 mm	1 1/4" (32 mm)	2	—
			1 1/2" (40 mm)	1	—
			2" (50 mm)	3	—

*Voir Caractéristiques

Modèle	Tête de congélation	Tuyau cuivre (DN)*	Tuyau acier	Profil	Coussinets nécessaires
SF-2300, 230V Modèle Européen (41078)		12 mm	—	1	42838
		15 mm	—	1	42853
		18 mm	—	1	—
		22 mm	1/2" (15 mm)	3	42843
		28 mm	3/4" (20 mm)	3	—
		35 mm	1" (25 mm)	2	42833
		42 mm	1 1/4" (32 mm)	2	—

*Voir Caractéristiques

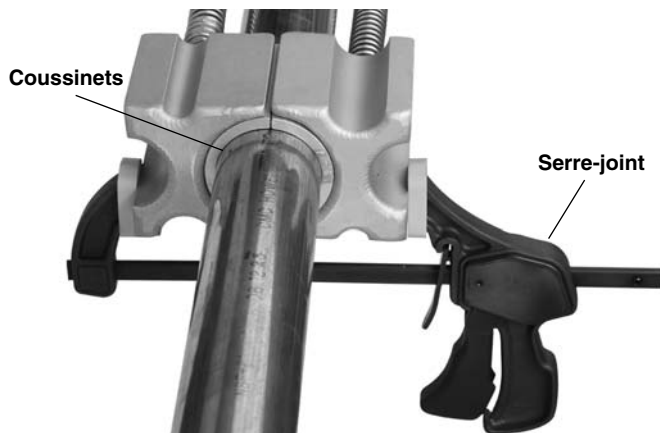


Figure 4 – Montage des deux têtes de congélation à l'aide du serre-joint



Figure 5 – Montage d'une tête de congélation à l'aide d'une bande Velcro

9. Montage des têtes de congélation sur le tuyau.

- Création d'un bouchon de glace unique – Lorsqu'il s'agit de créer un seul bouchon de glace, les deux têtes de congélation doivent être positionnées face-à-face. Cela diminuera le temps de congélation du bouchon. Servez-vous du serre-joint (Figure 4) ou d'une bande Velcro (Figure 5) pour maintenir les têtes de congélation en place. Lors de l'utilisation du serre-joint faites attention de ne pas le serrer au point de déformer la conduite.

La formation d'un seul bouchon de glace avec les têtes de congélation positionnées face-à-face et tenues en place par le serre-joint représente la méthode préférée lorsqu'il s'agit d'une application difficile (température élevée, tuyau de section importante, etc.). Si une telle application difficile nécessite l'emploi des deux têtes de congélation, il sera peut-être nécessaire de prévoir un deuxième congélateur de conduites pour créer le second bouchon.

- Création de deux bouchons de glace – Lorsque l'isolation d'une section de conduite nécessite la création de deux bouchons de glace indépendants, il sera nécessaire de créer un bouchon de glace à chacune de ses extrémités (Figure 6).

Maintenez les têtes de congélation fermement en place à l'aide du serre-joint ou des bandes Velcro. Si vous employez le serre-joint, faites attention de ne pas le serrer au point de déformer la conduite.

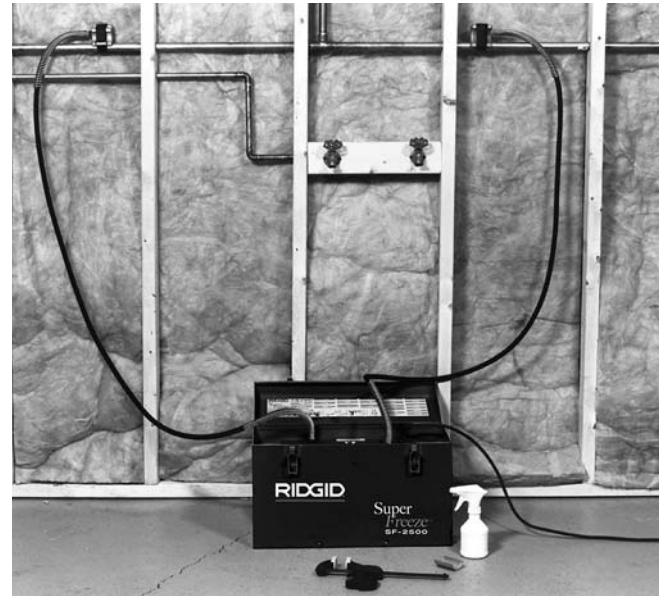


Figure 6 – Création de deux bouchons de glace

- Si aucun profil de tête de congélation ne correspond à la section du tuyau à congeler, utilisez un des adaptateurs prévus. Si vous employez du gel de congélation, il sera nécessaire de l'appliquer à la fois au dos de l'adaptateur et à son profil côté tuyau. Maintenez les têtes de congélation fermement en place à l'aide du serre-joint ou des bandes Velcro. Si vous employez le serre-joint, faites attention de ne pas le serrer au point de déformer la conduite (Figure 7).



Figure 7 – Tête de congélation équipée d'un adaptateur d'embout et maintenue par une bande Velcro

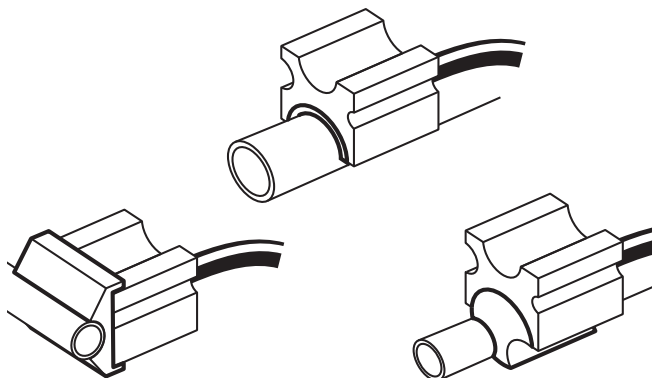


Figure 8 – Têtes de congélation avec divers adaptateurs

10. Acheminez le cordon d'alimentation de l'appareil selon le passage dégagé prévu. Avec les mains sèches, branchez le SuperFreeze sur la prise de courant avec terre prévue. Au besoin, utilisez une rallonge électrique :

- En bon état.
- Disposant d'une fiche à trois barrettes semblable à celle du cordon d'alimentation du congélateur de conduites.
- Indiquant les mentions W ou W-A dans sa désignation pour garantir sa compatibilité avec une utilisation à l'extérieur (ex., SOW) ou conforme aux normes H05VV-F, H05RN-F, 60227 IEC 53 ou 60245 IEC 57.
- De section suffisante (voire de 16 AWG (1,5 mm²) pour une longueur maximale de 50' (15,20 m) ou de 14 AWG (2,5 mm²) pour une longueur de 50' à 100' (15,20 à 30,50 m). Une rallonge électrique de section insuffisante risque de surchauffer au point de fondre son isolant et provoquer un incendie ou autres dégâts.

Consignes d'utilisation

⚠ AVERTISSEMENT



Avant de rouvrir le réseau, vérifiez que les bouchons de glace sont entièrement formés et stables. L'ouverture du réseau avant la formation complète des bouchons de glace ou leur permettre de fondre en cours d'intervention pourrait provoquer des brûlures, des chocs électriques ou autres blessure grave, voire entraîner des inondations ou autres dégâts matériels. Assurez-vous de la bonne installation de l'appareil et ne laissez pas le congélateur s'éteindre en cours d'utilisation.

Les têtes de congélation et leurs flexibles deviennent extrêmement froids et peuvent provoquer des engelures. Si vous devez les manipuler en cours d'opération, portez des gants.

Portez systématiquement une protection oculaire afin de protéger vos yeux contre la poussière et autres débris. Prévoyez systématiquement les équipements de protection adaptés au contenu du réseau.

Respectez les consignes d'utilisation de l'appareil afin de limiter les risques de brûlure, d'engelure, de choc électrique et autres blessures.

1. Assurez-vous de la préparation appropriée de l'appareil et du chantier, ainsi que de l'absence de tierces personnes ou autres distractions.
2. Mettez l'appareil en marche.
3. Laissez l'appareil en marche pendant 2 ou 3 minutes. Les têtes de congélation devraient alors commencer à givrer. Servez-vous du pulvérisateur pour pulvériser de l'eau sur les têtes de congélation et le tuyau. L'eau gèlera pour colmater les aspérités éventuelles entre les têtes de congélation, le tuyau et d'éventuels adaptateurs. Cela améliorera la conductivité thermique et réduira le temps de congélation, tandis que des aspérités entre les têtes de congélation et le tuyau empêcheraient la formation des bouchons de glace. Assurez-vous que l'eau dégoulinante ne présente pas de danger. L'utilisation de gel de congélation peut éventuellement éliminer la nécessité de pulvériser de l'eau sur l'ensemble.

Si les têtes de congélation ne deviennent pas froides et couvertes de glace au bout d'environ 7 minutes, éteignez l'appareil pendant 3 minutes avant de le remettre en marche. Si les têtes de congélation refusent toujours de se refroidir, consultez le chapitre « Dépannage ».

4. Une fois les têtes de congélation et le tuyau gelés ensemble, il sera nécessaire d'attendre la formation du (ou des) bouchon(s) de glace. En présence de températures ambiantes élevées, mais inférieures à 100 °F (38 °C), les têtes de congélation peuvent être enveloppées d'un isolant thermique afin de réduire le temps de congélation.

Ne jamais laisser l'appareil sans surveillance. Dans la mesure où les tuyaux risquent d'éclater en cours de congélation, leur surveillance continue limitera à la fois les risques et les conséquences. En cas de coupure de courant, éteignez l'appareil pendant au moins 30 secondes avant de le redémarrer afin d'éviter d'endommager son compresseur.



Figure 9 – Tête de congélation et tuyau gelés

Le temps nécessaire à la formation complète d'un bouchon de glace dépend de plusieurs facteurs (température de l'eau, température ambiante, distance de la source de chaleur, section et épaisseur de parois du conduit, composition du tuyau, nombre de têtes de congélation présentes, qualité du transfert thermique entre les têtes de congélation et le tuyau, etc.). Le tableau des temps de congélation ci-après est basé sur un réseau d'adduction d'eau en cuivre avec température d'eau égale à la température ambiante et équipé de deux têtes de congélation enduites de gel de congélation. Le temps de congélation des conduites en acier sera plus long. Les temps de congélation sous conditions moins qu'optimales peuvent être le double, voire plus, des temps indiqués. Les temps de congélation indiqués ne sont donnés qu'à titre indicatif.

- Assurez-vous que les bouchons sont intègres et qu'ils ne suintent pas avant de rouvrir le réseau. Pour ce faire, ouvrez un robinet en aval des bouchons pour confirmer l'absence d'écoulement. Vous pouvez également utiliser une bride de raccordement semblable à celles utilisées pour le raccordement des distributeurs de glace pour percer la conduite et confirmer l'absence d'écoulement. En cas d'écoulement, fermez le système et reprenez le processus de congélation.

Attendez au moins cinq minutes de plus après confirmation qu'il n'y a pas de fuite avant de rouvrir le réseau. Face à des températures d'eau supérieures à 90 °F (32 °C) mais inférieures à 100 °F (38 °C), attendez au moins 15 minutes. Ne pas éteindre le congélateur de conduites.

Temps de congélation

Ø nominal du tuyau de cuivre		Température ambiante (température de l'eau)		Temps de congélation approximatif (minutes)	
Pouces (CTS)	mm (DN)	°F	°C	SF-2500	SF-2300
1/2	15	70	21	6	5
		80	26	8	6
		90	32	10	8
3/4	22	70	21	8	6
		80	26	10	8
		90	32	13	10
1	28	70	21	10	10
		80	26	13	12
		90	32	16	15
1 1/4	35	70	21	12	NA
		80	26	15	NA
		90	32	19	NA
1 1/2	42	70	21	19	21
		80	26	22	26
		90	32	28	42
2	54	70	21	23	NA
		80	26	25	NA
		90	32	28	NA
2 1/2		70	21	40	NA
		80	26	51	NA
		90	32	55	NA

- Une fois que le bouchon de glace a été complètement formé et que suffisamment de temps s'est écoulé pour confirmer qu'il n'y a pas d'écoulement à l'intérieur du tuyau, le tuyau peut être sectionné. Lors du sectionnement du tuyau, préparez-vous à la possibilité d'un écoulement résiduel et prévoyez les équipements de protection adéquats en cas de défaillance du bouchon. N'oubliez pas de respecter les consignes de préparation du tuyau visant la distance à maintenir entre le bouchon de glace et d'éventuelles sources de chaleur (soudage, brasage, etc.). Gardez le congélateur de conduites en marche durant toute l'intervention afin d'assurer le maintien du bouchon de glace en cours d'opération.
- En fin d'opération, fermez le réseau, éteignez et débranchez le congélateur de conduites, puis attendez la décongélation complète des têtes et flexibles de congélation.

AVIS IMPORTANT Ne tentez pas de retirer les têtes de congélation du tuyau ou d'enrouler leurs flexibles avant la décongélation complète de l'ensemble du matériel. Cela risquerait d'endommager les flexibles et les têtes de congélation. S'il s'avère nécessaire de retirer les têtes et les flexibles de congélation plus rapidement, servez-vous d'un générateur d'air chaud pour accélérer la fonte.

Nettoyage

En fin d'intervention, nettoyez les têtes de congélation et les grilles du ventilateur du condensateur avec un chiffon doux et séchez les têtes et flexibles de congélation dégivrés à l'aide d'une serviette.

Accessoires

⚠ AVERTISSEMENT

Afin de limiter les risques de grave blessure corporelle, utilisez exclusivement les accessoires spécifiquement adaptés aux congélateurs de conduite SuperFreeze comme ceux indiqués ci-après. L'utilisation d'accessoires prévus pour d'autres types d'appareil pourrait compromettre la sécurité opérationnelle des congélateurs de conduite SuperFreeze.

Réf. catalogue	Désignation
Pour SF-2500 :	
69712	Jeu de 2 coussinets Ø 3/4" CTS pour SF-2500R
70652	Jeu de 2 coussinets Ø 1 1/4" CTS pour SF-2500R
69717	Jeu de 2 coussinets Ø 2" CTS pour SF-2500R
68857	Jeu de 2 adaptateurs d'embout Ø 1/2" CTS pour SF-2500R
68862	Jeu de 2 adaptateurs d'embout Ø 3/4" CTS pour SF-2500R
68837	Jeu de 2 adaptateurs d'embout Ø 22 mm pour SF-2500R
72427	Jeu de 2 adaptateurs d'embout Ø 28 mm pour SF-2500R
72422	Jeu de 2 adaptateurs d'embout Ø 3/4" Fe (28 mm)
66986	Jeu de 2 adaptateurs d'embout Ø 12 mm à Ø 16 mm
65976	Jeu de 2 adaptateurs d'embout Ø 3/8" Fe (18 mm), Ø 1/2" Fe (22 mm)
Pour SF-2300 :	
42838	Jeu de 2 coussinets Ø 12 mm
42853	Jeu de 2 coussinets Ø 15 mm
42843	Jeu de 2 coussinets Ø 22 mm
42833	Jeu de 2 coussinets Ø 35 mm
Pour SF-2500 et SF-2300 :	
65942	Serre-joint Quik Grip
69707	Jeu de 2 bandes Velcro
74946	Gel de congélation RIDGID
60776	Pulvérisateur 8 oz. (25 cl)

De plus amples renseignements sur les accessoires prévus pour cet appareil se trouvent dans le catalogue RIDGID et sur les sites www.RIDGID.com et www.RIDGID.eu.

Rangement de l'appareil

Les congélateurs de conduite RIDGID SuperFreeze doivent être rangés dans un local sec et sous clé, hors de la portée des enfants et de tout individu non familier avec ce type de matériel.

Séchez les têtes et flexibles de congélation soigneusement. Enroulez les flexibles pour les ranger dans le compartiment prévu en faisant attention de ne pas les croiser. Il convient de protéger les têtes de congélation contre les chocs, les objets tranchants et une manipulation abusive.

AVIS IMPORTANT Ne laissez pas le congélateur de conduites dans un véhicule. Les vibrations excessives et les chocs successifs peuvent endommager l'appareil. Arrimez l'appareil soigneusement durant son transport.

Révisions et réparations

⚠ AVERTISSEMENT

Toute intervention inappropriée risque de nuire à la sécurité opérationnelle des congélateurs de conduite SuperFreeze.

Les congélateurs de conduite RIDGID SuperFreeze renferment un gaz réfrigérant dont le maintien et le remplacement nécessitent l'intervention d'un spécialiste. C'est pourquoi la révision et la réparation des congélateurs de conduite SuperFreeze doivent être confiés exclusivement à un réparateur RIDGID agréé.

Pour localiser le réparateur RIDGID® le plus proche ou pour toutes questions visant l'entretien ou la réparation de l'appareil :

- Consultez le distributeur RIDGID le plus proche.
- Rendez-vous sur le site www.RIDGID.com ou www.RIDGID.eu pour localiser le représentant RIDGID le plus proche.
- Contactez les services techniques Ridge Tool par mail adressé à rttechservices@emerson.com ou, depuis les Etats-Unis et le Canada, par téléphone en composant le (800) 519-3456.

Recyclage

Certains composants des congélateurs de conduite RIDGID SuperFreeze contiennent des matières rares susceptibles d'être recyclées. Des sociétés de recyclage spécialisées peuvent parfois se trouver localement. Recyclez ce type de matériel selon la réglementation en vigueur. Consultez les services de recyclage de votre localité pour de plus amples renseignements.



A l'attention des pays de la CE : Ne jamais jeter de matériel électrique dans les ordures ménagères !

Selon la directive européenne n° 2002/96/CE visant le recyclage des déchets électriques et électroniques, ainsi que les diverses réglementations nationales qui en découlent, tout matériel électrique non utilisable doit être trié séparément et recyclé de manière écologiquement responsable.

Dépannage

ANOMALIE	CAUSES POSSIBLES	SOLUTION
<p>Les têtes de congélation ne se recouvrent pas de givre au bout des 7 minutes prévues.</p>	L'appareil est resté dans un local froid ou n'a pas été utilisé depuis longtemps.	Si les têtes de congélation ne sont pas froides au toucher au bout de 7 minutes, éteignez l'appareil, puis attendez 3 minutes avant de le remettre en marche.
	Pas d'alimentation électrique.	Assurez-vous d'une alimentation électrique adaptée et continue et que le ventilateur du compresseur tourne.
	Condensateur mal ventilé.	Assurez-vous que la ventilation du condensateur n'est pas obstruée et que ses arrivées d'air sont dégagées.
	Manque de réfrigérant.	Contactez les services techniques de Ridge Tool (<i>chapitre Révisions et réparations</i>).
<p>Les têtes de congélation deviennent froides et se recouvrent de givre, mais le tuyau refuse de geler.</p>	Suintement d'eau dans le conduit.	Après vérification, éliminez tout suintement d'eau éventuel.
	Aspérités entre les têtes et le conduit.	Utilisez le pulvérisateur ou le gel de congélation pour assurer l'intégralité du pont thermique. La moindre aspérité empêchera la formation du bouchon de glace.
	Le conduit n'est pas rempli d'eau.	Assurez-vous que la conduite est entièrement remplie d'eau.
	Le réseau est rempli d'un liquide autre que l'eau.	Le congélateur de conduites ne pourra pas fonctionner.
	Température de l'eau trop élevée.	Laissez refroidir le réseau ou, si les têtes de congélation sont trop près du réseau principal ouvert, fermez-le et éloignez les têtes de congélation.
	Température ambiante trop élevée.	Une fois la tête et le tuyau gelés, recouvrez-les d'isolant.
<p>L'appareil disjoncte.</p>	Surcharge du compresseur.	Le compresseur est équipé d'une protection thermique, et son redémarrage automatique risque de prendre un certain temps.

SF-2300/SF-2500

Unidades congelatubos SuperFreeze®



ADVERTENCIA

Antes de utilizar este aparato, lea detenidamente su Manual del Operario. Pueden ocurrir descargas eléctricas, incendios y/o graves lesiones si no se comprenden y siguen las instrucciones de este manual.

Unidades Congelatubos SuperFreeze®

Apunte aquí y guarde el número de serie del producto que se encuentra en su placa de características,

No. de
serie:

--	--

Índice de materias

Formulario de registro para el número de serie del aparato	27
Simbología de seguridad.....	29
Información de seguridad general	
Seguridad en la zona de trabajo	29
Seguridad eléctrica	29
Seguridad personal	30
Uso y cuidado de las herramientas eléctricas	30
Servicio	30
Información de seguridad específica del congelatubos	30
Descripción, especificaciones y equipo estándar	
Descripción	31
Especificaciones	31
Equipo estándar.....	31
Íconos	32
Inspección del congelatubos	32
Preparación del aparato y de la zona de trabajo	33
Diámetros de tuberías de cobre y acero	34
Instrucciones de funcionamiento	36
Tiempos de congelación	37
Limpieza	38
Accesorios	38
Almacenamiento de la máquina	39
Servicio y reparaciones	39
Eliminación de la máquina	39
Resolución de problemas	40
Garantía vitalicia	Carátula posterior

*Traducción del manual original.

Simbología de seguridad

En este manual del operario y en el producto mismo encontrará símbolos y palabras de advertencia que comunican importante información de seguridad. Para su mejor comprensión, en esta sección se describe el significado de estas palabras y símbolos de advertencia.



Este es el símbolo de una alerta de seguridad. Sirve para prevenir al operario de las lesiones corporales que podría sufrir. Obedezca todas las instrucciones de seguridad que acompañan a este símbolo para evitar posibles lesiones o muerte.



Este símbolo de PELIGRO advierte de una situación de riesgo o peligro que, si no se evita, podría producir la muerte o lesiones graves.



Este símbolo de ADVERTENCIA avisa de una situación de riesgo o peligro que, si no se evita, podría producir la muerte o lesiones graves.



Este símbolo de CUIDADO advierte de una situación de riesgo o peligro que, si no se evita, podría producir lesiones leves o moderadas.



Un AVISO advierte de la existencia de información relacionada con la protección de un bien o propiedad.



Este símbolo significa que es necesario leer detenidamente su manual del operario antes de usar el equipo. El manual del operario contiene información importante acerca del funcionamiento apropiado y seguro del equipo.



Este símbolo indica que cuando maneje o utilice este equipo siempre debe usar gafas o anteojos de seguridad con viseras laterales, con el fin de evitar lesiones a los ojos.



Este símbolo indica que existe el riesgo de quemazón de la piel debido a superficies heladas o escarchadas.



Este símbolo advierte del peligro de descargas eléctricas.

Información de seguridad general



Lea todas las instrucciones y advertencias de seguridad. Si no se siguen y respetan las advertencias e instrucciones, podrían producirse descargas eléctricas, incendios y/o lesiones graves.

¡GUARDE TODAS LAS ADVERTENCIAS E INSTRUCCIONES PARA POSTERIOR CONSULTA!

Seguridad en la zona de trabajo

- **Mantenga su zona de trabajo limpia y bien iluminada.** Los lugares desordenados u oscuros pueden provocar accidentes.
- **No haga funcionar herramientas en ambientes explosivos, es decir, en presencia de líquidos, gases o polvo inflamables.** Los aparatos pueden generar chispas que podrían encender los gases o el polvo.
- **Mientras haga funcionar una herramienta, mantenga alejados a los niños y espectadores.** Cualquier distracción podría hacerle perder el control del aparato.

Seguridad eléctrica

- **La herramienta provista de conexión a tierra debe enchufarse en un enchufe debidamente instalado y**

conectado a tierra conforme a las correspondientes ordenanzas y códigos. Jamás modifique el enchufe del aparato ni elimine la clavija de conexión a tierra. No utilice un enchufe adaptador. Consulte a un electricista capacitado si no está seguro que el aparato está debidamente conectado a tierra. Si el aparato experimenta un malfuncionamiento eléctrico o deja de funcionar, la conexión a tierra es un camino de baja resistencia que desvía la corriente del usuario.

- **Evite el contacto de su cuerpo con artefactos conectados a tierra tales como cañerías, radiadores, estufas o cocinas, y refrigeradores.** Aumenta el riesgo de choques de electricidad si su cuerpo ofrece conducción a tierra.
- **No exponga el aparato a la lluvia ni permita que se moje.** Cuando a un aparato le entra agua, aumenta el riesgo de choques de electricidad.
- **No maltrate el cordón eléctrico del aparato. Nunca transporte el aparato tomándolo de su cordón eléctrico ni jale del cordón para desenchufarlo del tomacorriente. Mantenga el cordón alejado del calor, aceite, bordes cortantes o piezas móviles. Reemplace inmediatamente un cordón en mal estado.** Un cordón enredado o en mal estado aumenta el riesgo de choques de electricidad.

- **Al hacer funcionar un aparato eléctrico a la intemperie, emplee un cordón de extensión fabricado para uso a la intemperie marcado “W-A” o “W”.** Estos alargadores diseñados para empleo a la intemperie reducen el riesgo de choques de electricidad.

Seguridad personal

- **Manténgase alerta, preste atención a lo que está haciendo y use el sentido común cuando haga funcionar algún aparato. No use ningún equipo si usted está cansado o se encuentra bajo la influencia de drogas, alcohol o medicamentos.** Tan solo un breve descuido durante el funcionamiento de un aparato puede resultar en lesiones graves.
- **Use equipo de protección personal. Siempre use protección para los ojos.** Según corresponda para cada situación, colóquese equipo de protección como mascarilla para el polvo, calzado de seguridad antideslizante, casco o protección para los oídos, con el fin de reducir las lesiones personales.
- **No trate de extender el cuerpo para alcanzar algo. Tenga los pies bien plantados y mantenga el equilibrio en todo momento.** Esto permite un mejor control del equipo en situaciones inesperadas.

Uso y cuidado de las herramientas eléctricas

- **No fuerce los aparatos. Use la herramienta correcta para la tarea que está por realizar.** Con la herramienta adecuada se hará mejor el trabajo y en forma más segura en la clasificación nominal para la cual fue diseñada.
- **Si el interruptor del aparato no lo enciende (ON) o no lo apaga (OFF), no utilice el aparato.** Cualquier herramienta que no se pueda controlar mediante su interruptor es un peligro y debe repararse.
- **Antes de hacer ajustes, cambiar accesorios o de almacenar el aparato, desenchúfelo.** Estas medidas de seguridad preventiva reducen el riesgo de poner el aparato en marcha involuntariamente.
- **Almacene los aparatos motorizados que no estén en uso fuera del alcance de los niños y no permita que los hagan funcionar personas que no estén familiarizadas con los aparatos.** Las herramientas que estén en manos de personas no capacitadas son peligrosas.
- **Haga la mantención necesaria de las herramientas. Revise el equipo para verificar que las piezas móviles no estén mal alineadas o agarrotadas. Verifique que no tenga partes quebradas ni presente alguna otra condición que podría afectar su**

funcionamiento. Si un aparato está dañado, hágalo reparar antes de utilizarlo. Muchos accidentes se deben a herramientas que no han recibido un mantenimiento adecuado.

- **Use solamente los accesorios recomendados por el fabricante para su modelo.** Los accesorios que podrían ser apropiados para una herramienta pueden resultar peligrosos cuando se usan con otra herramienta.

Servicio

- **Encomiende el servicio de la herramienta motorizada únicamente a técnicos calificados que usen repuestos idénticos a las piezas originales.** Así se garantiza la continua seguridad del aparato.

Información de seguridad específica del congelatubos

⚠ ADVERTENCIA

Esta sección contiene información de seguridad importante que es específica para esta herramienta.

Antes de usar los aparatos congelatubos, lea estas instrucciones detenidamente para reducir el riesgo de choque de electricidad o de lesiones personales graves.

¡GUARDE ESTAS INSTRUCCIONES!

Las unidades SuperFreeze® cuentan con un compartimiento especial para conservar este manual a disposición del operario.

- **Esta herramienta se emplea para formar un tapón de hielo dentro de cañerías de cobre, acero, o en otras tuberías metálicas conductoras de calor. No la emplee en tuberías plásticas.** Siga fielmente las instrucciones de uso. Pueden ocurrir lesiones si se emplea este aparato para realizar otras tareas.
- **No toque los cabezales de congelación mientras estén helados o escarchados.** Póngase guantes si debe tocarlos para no quemarse las manos.
- **Antes de abrir la red de cañerías, verifique que los tapones de hielo estén totalmente formados y estables.** Si abre la red de cañerías antes de que se forme completamente el tapón de hielo, o si permite que el tapón se descongele mientras el sistema está abierto, usted puede quemarse o sufrir un choque eléctrico u otra lesión grave. También pueden producirse inundaciones u otros daños a la propiedad.
- **Procure no torcer ni pellizcar las mangueras y no las jale. No abra las tuberías que tienen refrigerante.** Provocaría el escape de refrigerante que puede causar

quemaduras, asfixia y otras lesiones de gravedad. Si se produce una fuga de refrigerante, haga abandono del recinto y espere que el refrigerante se disipe.

El folleto de la Declaración de Conformidad de la Comunidad Europea (890-011-320.10) se adjuntará a este manual cuando se requiera.

Si tiene alguna pregunta acerca de este producto RIDGID®:

- Comuníquese con el distribuidor RIDGID en su localidad.
- Visite www.RIDGID.com o www.RIDGID.eu para averiguar dónde se encuentran los centros autorizados de RIDGID más cercanos.
- Comuníquese con el Departamento de Servicio Técnico de Ridge Tool en rttechservices@emerson.com, o llame por teléfono desde EE. UU. o Canadá al (800) 519-3456.

Descripción, especificaciones y equipo estándar

Descripción

Las unidades congelatubos SuperFreeze® de RIDGID® sirven para crear un tapón de hielo congelado dentro de una red de cañerías de agua, con el fin de permitir el mantenimiento o reparación de la red sin necesidad de vaciarla o de cortar el suministro de agua. Las unidades son aparatos autónomos de refrigeración que conducen refrigerante a sus cabezales de aluminio. Los cabezales se adosan a la red de cañerías para generar un tapón congelado en tuberías metálicas. Finalizados los trabajos de reparación de la red, el operario apaga el aparato

SuperFreeze y el tapón comienza a descongelarse. Disuelto el tapón, se restaura el flujo del agua.

Las unidades SuperFreeze no emplean CO², tampoco nitrógeno; no requieren la liberación o escape de refrigerante. Emplean compresores especialmente diseñados dotados de un mecanismo protector contra sobrecargas. La unidad SF-2500 también tiene capacidad rápida de reiniciar su marcha. Las mangueras flexibles de caucho que alimentan los cabezales de congelación son a prueba de fugas. Todo el aparato está contenido dentro de un maletín portátil.

Especificaciones

Equipo estándar

Todas las unidades de congelatubos SuperFreeze vienen con lo siguiente:

- Dos correas Velcro con aro en D
- Pinza de agarre rápido
- Gel de congelación
- Botella (atomizador) de agua
- Manual del operario

Parámetro/modelo	SF-2500, 115V	SF-2500, 230V	SF-2300, 230V
Diámetro tubería de cobre	1/2 a 2 1/2 pulg. CTS	12 a 54 mm DN*	12 a 42 mm DN
Diámetro tubería de acero	1/2 a 1 pulg.* (15 a 25 mm)	1/2 a 2 pulg. (15 a 50 mm)	1/2 a 1 1/4 pulg.* (15 a 32 mm)
Longitud de manguera	8,5 pies (2,6 m)	8,5 pies (2,6 m)	6,5 pies (2 m)
Abarque de manguera	17 pies (5,2 m)	17 pies (5,2 m)	13 pies (4 m)
Refrigerante	R-507	R-507	R-507
Tipo de compresor	Rotatorio, hermético, baja presión de succión		Recíproco
Potencia del compresor	627 W	505 W	296 W
Potencia del ventilador	2 x 18 W	2 x 17 W	17 W
Corriente eléctrica	115 V, 1 Ph, 60 Hz	230 V, 1 Ph, 50 Hz	230 V, 1 Ph, 50 Hz
Tamaño	24 1/2 x 11 x 14 1/2 pulg. (633 x 279 x 368)		21 x 10 1/2 x 13 pulg. (533 x 267 x 330)
Peso	69 libras (31 kg)		58 libras (26 kg)

* Las dimensiones de las cavidades de los cabezales de congelación en estas unidades están diseñadas específicamente para las dimensiones de tuberías de cobre. Pueden emplearse en tuberías de acero de diferentes dimensiones siempre que se cumpla con las instrucciones.

* Las dimensiones de las cavidades de los cabezales de congelación de estas unidades están diseñadas específicamente para las dimensiones de tuberías de acero. Pueden emplearse en tuberías de cobre de diferentes dimensiones siempre que se cumpla con las instrucciones.



Figura 1 – Unidad SF-2500 SuperFreeze



Figura 2 – Unidad SF-2300 SuperFreeze



Figura 3 – Número de serie de la unidad

El número de serie del aparato se encuentra en su placa de características. En la etiqueta adicional aparece el mes y año de fabricación (05 = mes, 13 = año).

Íconos

- Encendido
- Apagado

AVISO Este producto se usa para congelar tapones de hielo en sistemas de tuberías de agua. La capacidad para congelar los tapones depende de una serie de factores que se indican en este manual. Según las circunstancias exactas, es posible que este producto no funcione en todos los casos.

Inspección del congelatubos

⚠ ADVERTENCIA



Antes de cada uso, revise el congelatubos y corrija cualquier problema que detecte con el fin de prevenir descargas eléctricas, graves lesiones y daños al aparato.

1. Asegure que el congelatubos se encuentre desenchufado y que el interruptor de encendido se encuentre en la posición apagado.
2. Limpie todo aceite, grasa o suciedad que vea sobre el aparato y sus mandos. Esto ayuda con la inspección y control de la unidad.
3. Inspecciones el congelatubos para verificar lo siguiente:
 - El cordón y el enchufe no presentan daños ni modificaciones.
 - Está bien ensamblado, mantenido y completo.
 - No tiene partes quebradas, desgastadas, desalineadas o agarrotadas.
 - La etiqueta de advertencia está presente y legible (Vea las Figuras 1 y 2).
 - No existe ninguna otra condición que afecte su funcionamiento normal y seguro.

Si encuentra algún problema, no use el congelatubos hasta que haya sido reparado.
4. Inspeccione las mangueras que conectan con los cabezales de congelamiento para verificar que no estén agrietadas, plegadas, rotas o que presenten otros problemas. Las mangueras pueden estar flexionadas o enrolladas cuando no están congeladas, por tanto tenga cuidado de no torcerlas ni plegarlas. Esto previene daños a las mangueras.

5. Inspeccione la rejilla del ventilador y las bocas de aire de la carcasa del condensador. Asegúrese que no haya nada que esté bloqueando la circulación de aire. La falta de flujo de aire a través del aparato puede disminuir su rendimiento o dañarlo.
6. Con las manos secas, enchufe el cordón eléctrico en un tomacorriente dotado de conexión a tierra. Ponga el interruptor en la posición de encendido y confirme que el motor del compresor y el ventilador se hayan puesto en marcha. Apague el congelatubos y desenchúfelo.

Preparación del aparato y de la zona de trabajo

⚠ ADVERTENCIA



Prepare el congelatubos y la zona de trabajo de acuerdo a los siguientes procedimientos con el fin de prevenir quemaduras, descargas eléctricas y otras lesiones, y para no dañar el aparato.

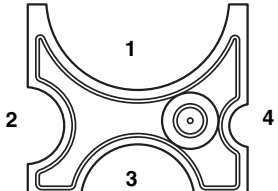
1. Revise la zona de trabajo para verificar lo siguiente:
 - Está bien iluminada.
 - No tiene líquidos, vapores o polvos inflamables que podrían incendiarse. Si estos combustibles están presentes, no trabaje en la zona hasta que hayan sido eliminados. El congelatubos no está hecho a prueba de explosión y puede generar chispas.
 - Cuenta con un lugar despejado, seco y estable para el aparato y el operario.
 - Hay un tomacorriente debidamente conectado a tierra. Es posible que un tomacorriente de tres orificios o uno dotado de GFCI (Interruptor del Circuito de Pérdida a Tierra) no estén conectados a tierra correctamente. Si tiene dudas acerca del tomacorriente, consulte a un electricista calificado.
 - Hay una senda segura para extender el cordón eléctrico desde el tomacorriente que no presente posibles peligros.
 - Hay un acceso fácil y despejado al lugar de trabajo.
2. Inspeccione la red de agua y establezca si el congelatubos servirá para realizar la tarea que se propone.
 - Determine si dentro de las cañerías fluye agua. El congelatubos sólo funciona en redes que llevan agua. Establezca si el agua contiene aditivos. Los aditivos hacen variar la temperatura o punto de congelación de los líquidos y dificultan la congelación o la imposibilitan.
3. Establezca dónde se colocarán los cabezales de congelamiento.
 - Determine de qué está hecha la tubería y su tamaño. El congelatubos sólo cumple su cometido en redes de cañerías metálicas. Para información sobre los tamaños y materiales de los cuales están hechas las tuberías, consulte *Especificaciones*.
 - Determine la temperatura ambiente y del agua en la zona del tapón que se desea formar. Determine si las temperaturas son superiores a:
 - 110°F (43° C) en cañerías de hasta 1 pulg. (25 mm);
 - 90°F (32°C) en cañerías de 1¼ pulg. (32 mm) y 1½ pulg. (42 mm);
 - 80°F (27°C) en cañerías de 2 pulg. (54 mm) o más,
 - En esos casos, el agua o el aire deben enfriarse a menos de estas temperaturas para poder emplear el congelatubos SuperFreeze.
 - Determine si el agua está fluyendo por la cañería. El congelatubos no puede congelar agua que está en movimiento. Si en el tramo de tubería donde se efectuará el trabajo fluye agua, debe detenerse el flujo cerrando una llave de paso, otra válvula, apagando la bomba de circulación o tomando alguna otra medida.
 - Determine si el trecho de cañería donde va a trabajar contiene agua. El congelatubos no puede congelar un tapón en una cañería que no está totalmente llena de agua.
 - Determine el punto donde debe abrirse el sistema de tuberías para llevar a cabo el trabajo requerido.
 - Ubique las llaves de paso o identifique otros métodos para cortar el suministro de agua en caso de emergencia.
3. Establezca dónde se colocarán los cabezales de congelamiento.
 - El lugar debe permitir el acceso a la zona a enfriar con por lo menos un cabezal de congelación. Y aunque se requiera congelar solo un tapón, es preferible contar con el suficiente espacio para colocar dos cabezales de congelación sobre la cañería. Los cabezales no deben estar en contacto con más de una cañería.
 - Si la red de agua va a ser soldada – de cualquier forma – o se le aplicará calor, el tapón o tapones congelados deben ubicarse lo más lejos posible del punto de la reparación. El exceso de calor podría descongelar el tapón de hielo antes de tiempo, lo que permitiría que el agua comience a fluir hacia la tubería que se encuentra abierta. Los tapones de hielo deben formarse a por lo menos un

pie (0,3 m) de distancia desde el lugar donde se aplicará calor a la cañería, por cada pulgada (25 mm) de diámetro que tenga una cañería de acero. Si se trata de cañerías de cualquier otro metal, el tapón congelado debe formarse a por lo menos tres pies (0,9 m) del lugar de calor, por cada pulgada de diámetro de la tubería.

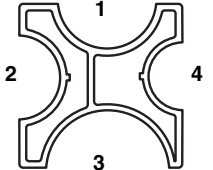
- Los tapones congelados deben ubicarse a más de un pie (0,3 m) de distancia de cualquier capacete, codo, válvulas cerradas, otros tapones congelados u obstrucciones similares. Se corre el riesgo de que la cañería se parta si el tapón se forma a menos de un pie de distancia.
 - No forme tapones de hielo a menos de 5 pies (1,5 m) de una cañería principal de 0 a 1 pulgada (25 mm) de diámetro que lleva agua caliente, o sea, agua a mayor temperatura que la temperatura ambiente, pero a menos de 100° F (38° C). Establezca una distancia de 8 pies (2,4 m) desde una cañería principal por la que fluye agua caliente cuando la tubería tiene un diámetro de 1¼ pulgada (30 mm) o más. Los tapones que se ubiquen demasiado cerca de una cañería principal de agua caliente podrían no formarse o descongelarse.
4. Prepare los sitios donde se ubicarán los tapones. "Desvista" la tubería retirándole el aislamiento o revestimiento. Si es necesario, quite de encima el material oxidado con una escobilla metálica. Las capas de abrigo o la corrosión actúan como aislantes de la cañería y podrían retardar o impedir la congelación de un tapón.

5. Sitúe el congelatubos donde sus cabezales de congelación puedan alcanzar hasta los puntos donde se desea formar tapones. Coloque el SuperFreeze sobre una superficie firme y nivelada en posición vertical. Si no se coloca el aparato en un plano nivelado y verticalmente, puede dañarse el compresor. Asegure que la entrada y la salida de aire hacia el compresor no se encuentren bloqueadas. Si están cubiertas o tapadas el proceso de congelación demorará más tiempo o no se logrará congelar un tapón. Recuerde que se debe situar el SuperFreeze alejado de los puntos donde se efectuarán las reparaciones a la red de agua y nunca debajo de los cabezales de congelación. Así se evita que al aparato le entre agua y que ocurran descargas eléctricas.
6. Extienda las mangueras de los cabezales de congelación. No las tuerza ni las pliegue, ya que se pueden dañar e impedir el funcionamiento adecuado del aparato.
7. Elija la cavidad apropiada en el cabezal de congelación que se ajuste al diámetro de la tubería que se va a congelar. A continuación se listan las correspondencias para tuberías de cobre y de acero. Algunas aplicaciones requieren cojinetes adaptadores. Si se emplea en una cañería o tubería que no está en la lista, el diámetro de la cañería o tubería no puede ser menos del diámetro del cabezal de congelamiento o del cojinete adaptador, es decir 1/8 pulg. (3,2 mm).
8. Aplique el gel congelador a la cavidad del cabezal de congelación. Si usa cojinetes adaptadores o adaptadores de cabezal, aplique el gel entre el cabezal de

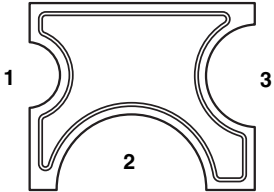
Diámetros de tuberías de cobre y acero

Modelo	Cabezal de congelación	Tubería de cobre (CTS)	Tubería de acero*	Cavidad	Cojinete adaptador requerido
SF-2500, 115 V Nacional (68967) y 230 V Exportación Nacional (68962)		1/2"	—	4	—
		3/4"	1/2"	2	Nº cat. 69712
		1"	3/4"	2	—
		1¼"	1"	3	Nº cat. 70652
		1½"	—	3	—
		2"	—	1	Nº cat. 69717
		2½"	—	1	—

* Consultar Especificaciones.

Modelo	Cabezal de congelación	Tubería de cobre (DN)*	Tubería de acero	Cavidad	Adaptador de extremos
SF-2500, 230 V Modelo Europeo (68832)		22 mm	1/2" (15 mm)	—	Nº cat. 68837
		28 mm	3/4" (20 mm)	—	Nº cat. 72427
		35 mm	1" (25 mm)	4	—
		42 mm	1¼" (32 mm)	2	—
		—	1½" (40 mm)	1	—
		—	2" (50 mm)	3	—

* Consultar Especificaciones.

Modelo	Cabezal de congelación	Tubería de cobre (DN)*	Tubería de acero	Cavidad	Cojinete adaptador requerido
SF-2300, 230 V Modelo Europeo (41078)		12 mm	—	1	42838
		15 mm	—	1	42853
		18 mm	—	1	—
		22 mm	1/2" (15 mm)	3	42843
		28 mm	3/4" (20 mm)	3	—
		35 mm	1" (25 mm)	2	42833
		42 mm	1 1/4" (32 mm)	2	—

* Consultar Especificaciones.

congelación y el adaptador, y a la superficie del adaptador que está en contacto con la cañería. El gel mejora la conductividad térmica entre el cabezal y la cañería y disminuye el tiempo que se requiere para formar un tapón de hielo. Si no dispone de gel, use la botella de agua para rociar agua abundantemente antes y durante el procedimiento de congelamiento de la cañería.

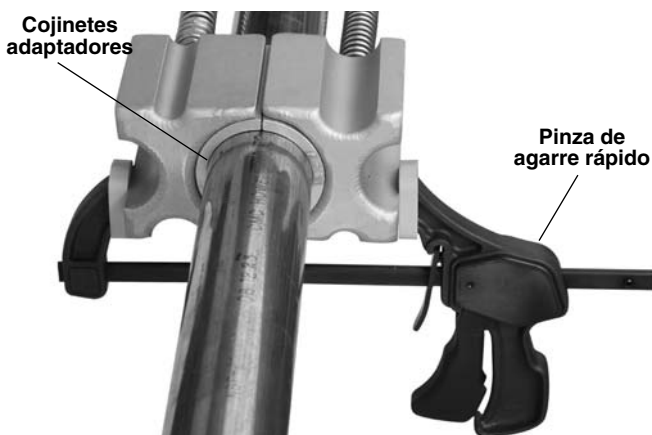


Figura 4 – Fijación de los cabezales de congelación con una pinza de agarre rápido



Figura 5 – Fijación del cabezal de congelación con la correa Velcro

9. Adose los cabezales de congelación a la cañería.

- Congelación de un solo tapón: En este caso, se deben ocupar los dos cabezales, colocándolos uno frente al otro. Así se formará un tapón con mayor rapidez. Si cuenta con suficiente espacio

para maniobrar, haga uso de la pinza de agarre rápido (Figura 4) o correa Velcro (Figura 5) para adosar los cabezales de congelación sobre la cañería. Si usa la pinza, no la apriete demasiado porque se podría deformar el tubo.

- La formación de un solo tapón con dos cabezales, colocándolos uno frente al otro adosados con gel congelador y empleando la pinza de agarre rápido, es el método preferido en aplicaciones más difíciles (temperaturas más altas, mayores dimensiones de cañerías, etc.). Si en una aplicación difícil se necesitan dos tapones congelados, podría ser necesario usar dos unidades congelatubos, uno para cada tapón.
- Congelación de dos tapones: Cuando se requieren dos tapones congelados separados para aislar una sección del sistema, se adosa un cabezal de congelación en cada punto (Figura 6). Adose los cabezales de congelación muy firmemente a la cañería ya sea con la pinza de agarre rápido o las correas Velcro. Si usa la pinza de agarre rápido, no la apriete demasiado porque se podría deformar el tubo.

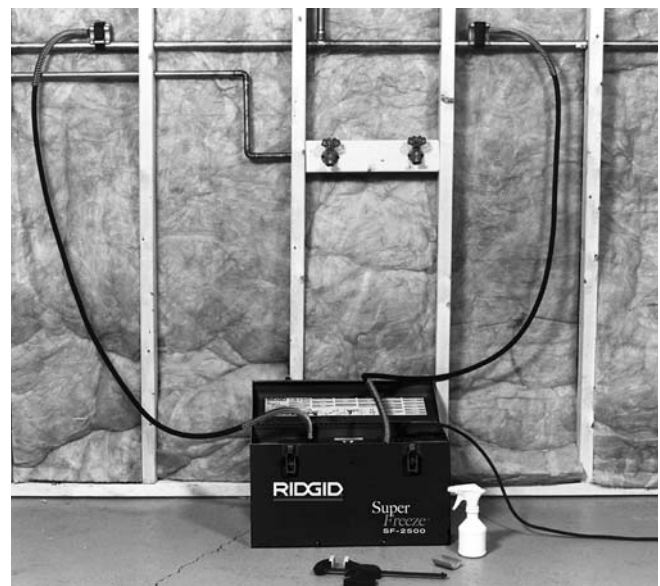


Figura 6 – Congelación de dos tapones

- Si no se puede usar el cabezal de congelación estándar, hay adaptadores disponibles. El gel congelador (si se está usando) se aplica a la parte de atrás del adaptador y a la superficie que está en contacto con la cañería. Adose firmemente los cabezales de congelación a la cañería ya sea con la pinza de agarre rápido o las correas Velcro. Si usa la pinza de agarre rápido, no la apriete demasiado porque se podría deformar el tubo. (Vea la Figura 7)



Figura 7 – Cabezal de congelación y adaptador adosados con correa Velcro

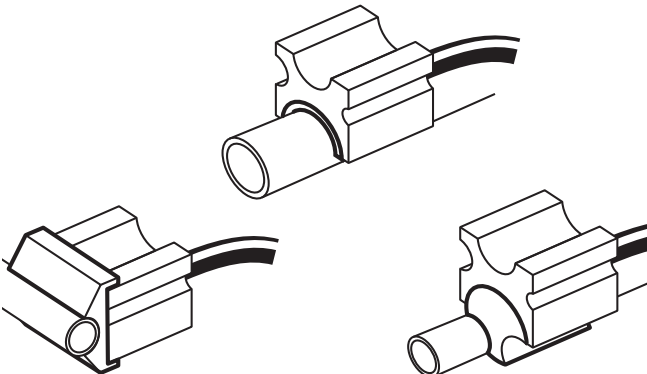


Figura 8 – Cabezal de congelación con diversos adaptadores

10. Extienda el cable a lo largo de la ruta previamente identificada y despejada. Con las manos secas, enchufe el SuperFreeze al tomacorriente debidamente conectado a tierra previamente identificado. Si el cable eléctrico no es suficientemente largo, use un alargador con las siguientes características:
 - Está en buenas condiciones.
 - Tiene un enchufe de tres clavijas parecido al que se suministra con la unidad congelatubos.
 - Está clasificado para uso a la intemperie y tiene un cable de clasificación W o W-A (es decir, SOW), o cumple con las especificaciones para los tipos H05VV-F, H05RN-F o diseños tipo IEC (60227 IEC 53, 60245 IEC 57).

- Tiene un diámetro de cable suficiente: 16 AWG (1,5 mm²) para 50 pies (15,2 m) o menos; 14 AWG (2,5 mm²) para 50 a 100 pies (15,2 m a 30,5 m) de largo. Los cables de menor diámetro se pueden sobrecalentar, derretir el aislamiento y causar un incendio u otros daños.

Instrucciones de funcionamiento

⚠ ADVERTENCIA



Antes de abrir el sistema, pruebe para confirmar que los tapones de hielo están estables y formados completamente. Abrir el sistema de cañerías antes de que el tapón de hielo esté totalmente congelado, o permitir que el tapón se descongele mientras el sistema está abierto puede causar quemaduras, golpes eléctricos u otras lesiones graves, inundaciones u otros daños a la propiedad. Asegúrese que el aparato esté bien instalado y no permita que el congelatubos se apague durante su uso.

Los cabezales y las mangueras alcanzan temperaturas extremadamente bajas. Si se las toca durante el funcionamiento pueden quemar la piel. Durante su uso, siempre póngase guantes.

Siempre use gafas para proteger sus ojos de la suciedad u objetos extraños. Asimismo, use el equipo de protección personal para resguardarse del contenido de la tubería.

Siga estas instrucciones de funcionamiento para evitar quemaduras, congelaciones, descargas eléctricas y otras lesiones.

1. Asegure que el aparato y la zona de trabajo estén preparados correctamente y que no haya observadores ni otras distracciones en la zona de trabajo.
2. Póngalo en marcha.
3. Permita que funcione por 2 o 3 minutos. Los cabezales comenzarán a escarcharse. Con el atomizador lentamente rocíe agua entre los cabezales de congelación y la cañería. El agua se congelará llenando los espacios entre el cabezal, la cañería y cualquier adaptador que esté empleando. Mejora la conductividad térmica y se acorta el tiempo de congelación, puesto que los espacios de aire entre el cabezal y la cañería impiden la formación de hielo. Procure que el agua que chorrea no ocasione peligro. Si se emplea gel congelador, es posible que no sea necesario rociar con agua.

Si transcurren unos 7 minutos y los cabezales no se han enfriado ni cubierto de escarcha, apague el aparato por unos 3 minutos. Luego, vuelva a encenderlo. Si los cabezales aún no se enfrían, consulte la sección *Resolución de problemas* de este manual.

- Una vez que los cabezales estén congelados contra el tubo, permita que se forme el tapón de hielo. Si la temperatura ambiente es alta (pero no sobrepasa los 100°F o 38°C), los cabezales pueden envolverse con aislante de tubería para apurar la congelación.

No descuide el aparato. Las cañerías pueden romperse o partirse cuando se congelan. Si usted se encuentra vigilando el proceso, logrará minimizar los peligros y el daño. Si por alguna razón se interrumpe el suministro de corriente al congelatubos, apague el aparato y espere por lo menos 30 segundos para volverlo a encender. Así se evitan daños al compresor.



Figura 9 – Cabezal congelado contra la cañería

El tiempo de congelación de un tapón de hielo depende de una variedad de factores, tales como la temperatura del agua, la temperatura ambiente, la distancia a una fuente de calor, diámetro de la cañería y grosor de la pared del tubo, material de fabricación de la cañería, número de cabezales de congelación, calidad del contacto entre los cabezales y la cañería, y otras condiciones. La tabla siguiente muestra los tiempos de congelación dados los siguientes factores: la temperatura del agua es la misma que la temperatura ambiente, las cañerías son de cobre y se emplean dos cabezales de congelación y gel congelador. Las cañerías de acero tardan más en congelarse. Los tiempos de congelación en condiciones menos que óptimas pueden ser el doble o más del doble. Estos datos solo se entregan a modo de orientación.

- Cuidadosamente, antes de “abrir” la red de agua, sométala a prueba para asegurar que los tapones se han formado por completo y que ha cesado el flujo de agua. Abra una válvula que esté aguas abajo con respecto al tapón de hielo que se ha creado, y verifique que no sale agua. También puede emplear una válvula tipo silla de montaje (similar a las que se usan en la instalación de aparatos para hacer cubos de hielo) para perforar una tubería de cobre y así verificar si en ella hay agua. Si comprueba que por la cañería sigue corriendo agua, “cierre” la red y reanude el proceso de congelación.

Si verifica que no fluye agua por la cañería, espere por lo menos cinco minutos antes de “abrir” la red para iniciar los trabajos de reparación. Espere por lo menos 15 minutos si se trata de una cañería por la cual fluía agua caliente, es decir a más de 90°F (32°C) pero a menos de 100°F (38°C). No apague el congelatubos.

Tiempos de congelación

Diámetro nominal de tubos de cobre		Temp. ambiental y del agua		Tiempo aprox. de congelación (minutos)	
Pulg. CTS	mm DN	°F	°C	SF-2500	SF-2300
1/2	15	70	21	6	5
		80	26	8	6
		90	32	10	8
3/4	22	70	21	8	6
		80	26	10	8
		90	32	13	10
1	28	70	21	10	10
		80	26	13	12
		90	32	16	15
1 1/4	35	70	21	12	NA
		80	26	15	NA
		90	32	19	NA
1 1/2	42	70	21	19	21
		80	26	22	26
		90	32	28	42
2	54	70	21	23	NA
		80	26	25	NA
		90	32	28	NA
2 1/2		70	21	40	NA
		80	26	51	NA
		90	32	55	NA

- Una vez formado el tapón de hielo y cuando haya transcurrido el tiempo suficiente desde que se confirmó que no fluye agua por la cañería, ya es prudente acceder a la tubería. Cuando “abra” la red, tome las precauciones necesarias y vista el equipo de protección personal adecuado por si sale líquido de la tubería o ha fallado el tapón de hielo. En este momento, tenga siempre presentes las instrucciones que se han dado en la sección Preparación del aparato sobre la distancia que debe haber entre el tapón de hielo recién formado y el punto de la cañería donde se aplicará calor (soldaduras, por ejemplo). No

apague el congelatubos mientras efectúa reparaciones. Sólo así se asegura que el tapón no se derretirá mientras la red permanece “abierta”.

7. Cuando se hayan terminado los trabajos y la red se ha “cerrado”, apague el Congelatubos y desenchúfelo. Permita que se derritan el hielo y la escarcha que se formaron sobre los cabezales de congelación y las mangueras.

AVISO No intente desmontar los cabezales de congelación de encima de la cañería ni enrollar las mangueras hasta que se hayan descongelado por completo. Pueden dañarse. Si tiene apuro y debe quitarlos más rápidamente, puede emplear una pistola de calor para descongelarlos.

Limpieza

Después de cada uso, limpie los cabezales de congelación con un paño suave. Limpie las rejillas del condensador del ventilador para eliminar la suciedad. Cuando estén totalmente descongelados, elimine con un paño la escarcha y el agua de los cabezales y las mangueras.

Accesorios

ADVERTENCIA

Para reducir el riesgo de lesiones graves, use solamente accesorios específicamente diseñados y recomendados para las unidades congelatubos SuperFreeze, tales como los que se nombran en la lista siguiente. El uso de otros accesorios apropiados para otras herramientas podría ser peligroso si se usan con las unidades congelatubos.

No. en el catálogo	Descripción
Para SF-2500:	
69712	SF-2500R Cojinetes adaptadores CTS de 3/4 pulg. (juego de 2)
70652	SF-2500R Cojinetes adaptadores CTS de 1 1/4 pulg. (juego de 2)
69717	SF-2500R Cojinetes adaptadores CTS de 2 pulg. (juego de 2)
68857	SF-2500R Adaptadores de extremos de 1/2 pulg. (juego de 2)
68862	SF-2500R Adaptadores de extremos CTS de 3/4 pulg. (juego de 2)
68837	SF-2500R Adaptadores de extremos de 22 mm (juego de 2)
72427	SF-2500R Adaptadores de extremos de 28 mm (juego de 2)
72422	Juego de 2 adaptadores de extremos de 3/4 pulg. Fe (28 mm)
66986	Juego de 2 adaptadores de extremos de 12 mm a 16 mm
65976	Juego de 2 adaptadores de extremos de 3/8 pulg. Fe (18 mm), 1/2 pulg. Fe (22 mm)
Para SF-2300:	
42838	Cojinetes adaptadores de 12 mm (juego de 2)
42853	Cojinetes adaptadores de 15 mm (juego de 2)
42843	Cojinetes adaptadores de 22 mm (juego de 2)
42833	Cojinetes adaptadores de 35 mm (juego de 2)
Para SF-2500 y SF-2300:	
65942	Pinza de agarre rápido
69707	Correas de Velcro (juego de 2)
74946	Gel congelador RIDGID
60776	Atomizador de agua, 8 onzas (0,25 litros)

Puede encontrar información adicional sobre los accesorios específicos para esta herramienta en el catálogo RIDGID y en línea en www.RIDGID.com o en www.RIDGID.eu.

Almacenamiento de la máquina

Las unidades congelatubos SuperFreeze de RIDGID deben guardarse en una zona seca, resguardada y bajo llave, fuera del alcance de los niños y personas no familiarizadas con los aparatos.

Una vez descongelados por completo, use un paño para quitarles el agua y la escarcha a los cabezales y a las mangueras. Enrolle la manguera en el compartimento al costado del aparato. No entrecruce las mangueras. Los cabezales de congelación de aluminio deben protegerse de los golpes, objetos punzantes y manejo descuidado.

AVISO No guarde la unidad congelatubos en un vehículo. Los golpes y las vibraciones le harán daño. Al transportar la unidad, manténgala asegurada en posición fija.

Servicio y reparaciones

⚠ ADVERTENCIA

La unidad congelatubos SuperFreeze se torna insegura cuando el servicio o la reparación se hacen en forma indebida.

Las unidades congelatubos SuperFreeze de RIDGID contienen refrigerante y requieren servicio por personal certificado. La mantención y reparación de la unidad congelatubos SuperFreeze debe llevarse a cabo en un Servicentro Autorizado Independiente de RIDGID.

Si necesita información sobre su Servicentro Autorizado Independiente de RIDGID® más cercano o si tiene preguntas sobre el servicio o reparación:

- Comuníquese con el distribuidor RIDGID en su localidad.
- Visite www.RIDGID.com o www.RIDGID.eu para averiguar dónde se encuentran los centros autorizados de RIDGID más cercanos.
- Comuníquese con el Departamento de Servicio Técnico de Ridge Tool en rttechservices@emerson.com, o llame por teléfono desde EE. UU. o Canadá al (800) 519-3456.

Eliminación de la máquina

Las piezas de las unidades congelatubos SuperFreeze de RIDGID contienen materiales valiosos y se pueden reciclar. Hay compañías locales que se especializan en el reciclaje. Deseche los componentes de acuerdo con todos los reglamentos correspondientes. Para más información sobre la eliminación de desechos, comuníquese con la agencia local de eliminación de residuos.



Para los países de la Comunidad Europea:
¡No deseche equipos eléctricos en la basura común!

De acuerdo con el Lineamiento Europeo 2002/96/EC para Desechos de Equipos Eléctricos y Electrónicos y su implementación en la legislación nacional, los equipos eléctricos inservibles deben desecharse por separado en una forma que cumpla con las normas del medio ambiente.

Resolución de problemas

SÍNTOMA	POSIBLES RAZONES	SOLUCIÓN
Los cabezales de congelación no se cubren de escarcha transcurridos 7 minutos.	El aparato ha estado almacenado en un lugar frío; no se ha usado el aparato durante mucho tiempo.	Si los cabezales de congelación no se sienten fríos después de 7 a 10 minutos, apague el congelatubos. Manténgalo sin funcionar durante 2 a 3 minutos y vuelva a encenderlo.
	Al aparato no le llega corriente.	Asegure que el suministro eléctrico no sufra interrupciones y que el ventilador del compresor esté funcionando.
	Al condensador no le llega aire.	Asegure que los accesos de aire al condensador no estén obstruidos. Revise las rejillas de entrada de aire hacia el condensador y límpielas si están sucias u obstruidas.
Los cabezales de congelación se enfrían y se escarchan pero la cañería no se congela.	El congelatubos se ha descargado.	Llame al Servicio Técnico de Ridge Tool (<i>vea la sección Servicio y reparaciones</i>).
	Podría estar fluyendo agua por la cañería.	Verifique si por la cañería todavía fluye agua. Si fluye agua, deténgala.
	Contacto deficiente entre cabezales y la cañería.	Use el atomizador para lograr un puente de hielo que facilitará la transferencia térmica. El más leve espacio impedirá la congelación.
	La cañería no está completamente llena de agua.	Verifique que el sistema esté completamente lleno de agua.
	La red contiene algo que no es agua.	El congelatubos no puede efectuar este trabajo.
El agua en la cañería está demasiado caliente.	Permita que la red de agua se enfríe. Puede ser que los cabezales de congelación estén colocados demasiado cerca de una cañería principal. Detenga el flujo en la cañería principal.	
El aparato se detiene.	La temperatura ambiente de la zona es demasiado alta.	Una vez que el cabezal esté congelado contra la cañería, envuelva el conjunto con aislante.
	El compresor está sobrecargado.	El compresor cuenta con una protección térmica. Debe transcurrir un lapso de tiempo antes de ponerse en marcha automáticamente.

What is covered

RIDGID® tools are warranted to be free of defects in workmanship and material.

How long coverage lasts

This warranty lasts for the lifetime of the RIDGID® tool. Warranty coverage ends when the product becomes unusable for reasons other than defects in workmanship or material.

How you can get service

To obtain the benefit of this warranty, deliver via prepaid transportation the complete product to RIDGE TOOL COMPANY, Elyria, Ohio, or any authorized RIDGID® INDEPENDENT SERVICE CENTER. Pipe wrenches and other hand tools should be returned to the place of purchase.

What we will do to correct problems

Warranted products will be repaired or replaced, at RIDGE TOOL'S option, and returned at no charge; or, if after three attempts to repair or replace during the warranty period the product is still defective, you can elect to receive a full refund of your purchase price.

What is not covered

Failures due to misuse, abuse or normal wear and tear are not covered by this warranty. RIDGE TOOL shall not be responsible for any incidental or consequential damages.

How local law relates to the warranty

Some states do not allow the exclusion or limitation of incidental or consequential damages, so the above limitation or exclusion may not apply to you. This warranty gives you specific rights, and you may also have other rights, which vary, from state to state, province to province, or country to country.

No other express warranty applies

This FULL LIFETIME WARRANTY is the sole and exclusive warranty for RIDGID® products. No employee, agent, dealer, or other person is authorized to alter this warranty or make any other warranty on behalf of the RIDGE TOOL COMPANY.



Parts are available online at RIDGIDParts.com



Ridge Tool Company

400 Clark Street
Elyria, Ohio 44035-6001
U.S.A.

We
Build
Reputations™



Ce qui est couvert

Les outils RIDGID® sont garantis contre tous vices de matériaux et de main d'oeuvre.

Durée de couverture

Cette garantie est applicable durant la vie entière de l'outil RIDGID®. La couverture cesse dès lors que le produit devient inutilisable pour raisons autres que des vices de matériaux ou de main d'oeuvre.

Pour invoquer la garantie

Pour toutes réparations au titre de la garantie, il convient d'expédier le produit complet en port payé à la RIDGE TOOL COMPANY, Elyria, Ohio, ou bien le remettre à un réparateur RIDGID® agréé. Les clés à pipe et autres outils à main doivent être ramenés au lieu d'achat.

Ce que nous ferons pour résoudre le problème

Les produits sous garantie seront à la discrétion de RIDGE TOOL, soit réparés ou remplacés, puis réexpédiés gratuitement ; ou si, après trois tentatives de réparation ou de remplacement durant la période de validité de la garantie le produit s'avère toujours défectueux, vous aurez l'option de demander le remboursement intégral de son prix d'achat.

Ce qui n'est pas couvert

Les défaillances dues au mauvais emploi, à l'abus ou à l'usure normale ne sont pas couvertes par cette garantie. RIDGE TOOL ne sera tenue responsable d'aucuns dommages directs ou indirects.

L'influence de la législation locale sur la garantie

Puisque certaines législations locales interdisent l'exclusion des dommages directs ou indirects, il se peut que la limitation ou exclusion ci-dessus ne vous soit pas applicable. Cette garantie vous donne des droits spécifiques qui peuvent être éventuellement complétés par d'autres droits prévus par votre législation locale.

Il n'existe aucune autre garantie expresse

Cette GARANTIE PERPETUELLE INTEGRALE est la seule et unique garantie couvrant les produits RIDGID®. Aucun employé, agent, distributeur ou tiers n'est autorisé à modifier cette garantie ou à offrir une garantie supplémentaire au nom de la RIDGE TOOL COMPANY.

Qué cubre

Las herramientas RIDGID® están garantizadas contra defectos de la mano de obra y de los materiales empleados en su fabricación.

Duración de la cobertura

Esta garantía cubre a la herramienta RIDGID® durante toda su vida útil. La cobertura de la garantía caduca cuando el producto se torna inservible por razones distintas a las de defectos en la mano de obra o en los materiales.

Cómo obtener servicio

Para obtener los beneficios de esta garantía, envíe mediante porte pagado, la totalidad del producto a RIDGE TOOL COMPANY, en Elyria, Ohio, o a cualquier Servicentro Independiente RIDGID. Las llaves para tubos y demás herramientas de mano deben devolverse a la tienda donde se adquirieron.

Lo que hacemos para corregir el problema

El producto bajo garantía será reparado o reemplazado por otro, a discreción de RIDGE TOOL, y devuelto sin costo; o, si aún resulta defectuoso después de haber sido reparado o sustituido tres veces durante el período de su garantía, Ud. puede optar por recibir un reembolso por el valor total de su compra.

Lo que no está cubierto

Esta garantía no cubre fallas debido al mal uso, abuso o desgaste normal. RIDGE TOOL no se hace responsable de daño incidental o consiguiente alguno.

Relación entre la garantía y las leyes locales

Algunos estados de los EE.UU. no permiten la exclusión o restricción referente a daños incidentales o consiguientes. Por lo tanto, puede que la limitación o restricción mencionada anteriormente no rija para Ud. Esta garantía le otorga derechos específicos, y puede que, además, Ud tenga otros derechos, los cuales varían de estado a estado, provincia a provincia o país a país.

No rige ninguna otra garantía expresa

Esta GARANTIA VITALICIA es la única y exclusiva garantía para los productos RIDGID. Ningún empleado, agente, distribuidor u otra persona está autorizado para modificar esta garantía u ofrecer cualquier otra garantía en nombre de RIDGE TOOL COMPANY.



EMERSON™
Commercial & Residential Solutions

EMERSON. CONSIDER IT SOLVED.™